

Valves - Series GSCO

Product code: GSCO 806-1/4-10

Datasheet creation date: 10/03/2025 12:12

Check the most updated document online [click here](#)

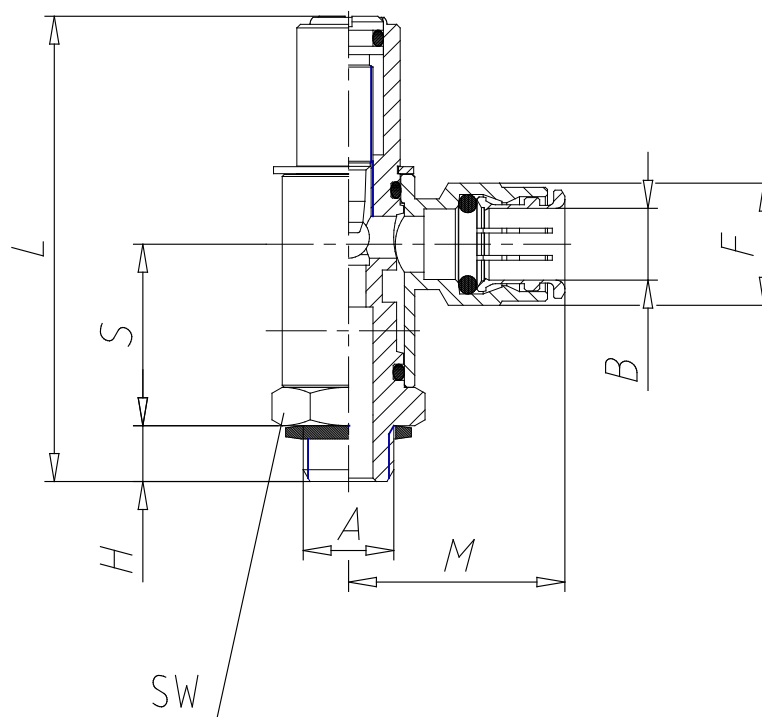


TECHNICAL DATA

| | |
|------|-----------------|
| Mod. | GSCO 806-1/4-10 |
|------|-----------------|

Valves - Series GSCO

Product code: GSCO 806-1/4-10



DIMENSIONS

| | |
|----------------|------|
| A | G1/4 |
| B (mm) | 10 |
| S (mm) | 27.0 |
| H (mm) | 7 |
| L (mm) | 67.5 |
| M (mm) | 31.0 |
| F (mm) | 17.5 |
| SW (mm) | 19 |