

Valves - Series GSCO

Product code: GSCO 813-M5-3

Datasheet creation date: 10/03/2025 12:12

Check the most updated document online [click here](#)

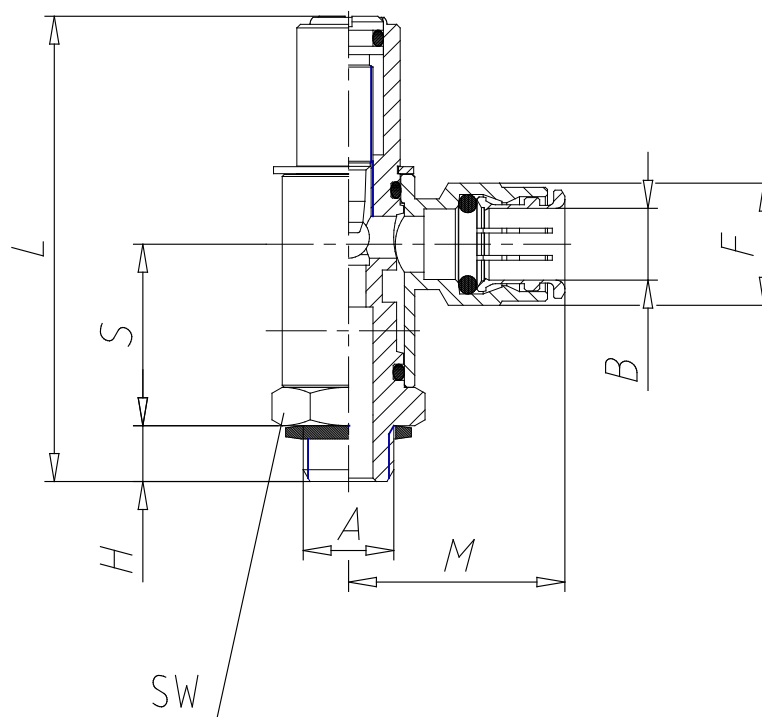


TECHNICAL DATA

Mod.	GSCO 813-M5-3
------	---------------

Valves - Series GSCO

Product code: GSCO 813-M5-3



DIMENSIONS

A	M5
B (mm)	3
S (mm)	12.0
H (mm)	3
L (mm)	27.5
M (mm)	12.5
F (mm)	6.5
SW (mm)	8