

## Valves - Series GSCO

Product code: GSCO 814-M5-4

Datasheet creation date: 10/03/2025 12:12

Check the most updated document online [click here](#)

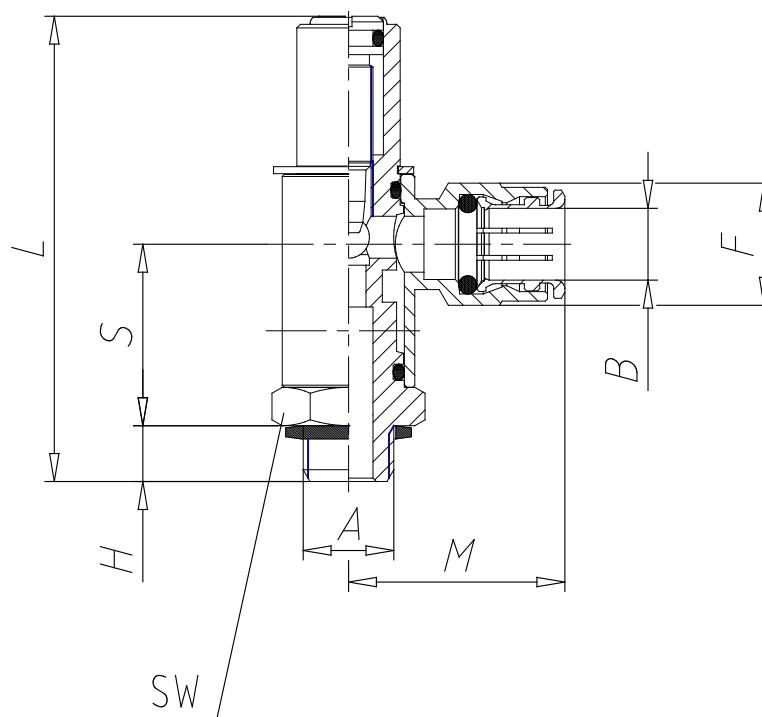


### TECHNICAL DATA

Mod.	GSCO 814-M5-4
------	---------------

## Valves - Series GSCO

Product code: GSCO 814-M5-4



### DIMENSIONS

<b>A</b>	M5
<b>B (mm)</b>	4
<b>S (mm)</b>	12.0
<b>H (mm)</b>	3
<b>L (mm)</b>	27.5
<b>M (mm)</b>	19.0
<b>F (mm)</b>	8.8
<b>SW (mm)</b>	8