

- Serie GSCU_F

Product code: GSCU 02F-02

Datasheet creation date: 10/03/2025 12:12

Check the most updated document online [click here](#)

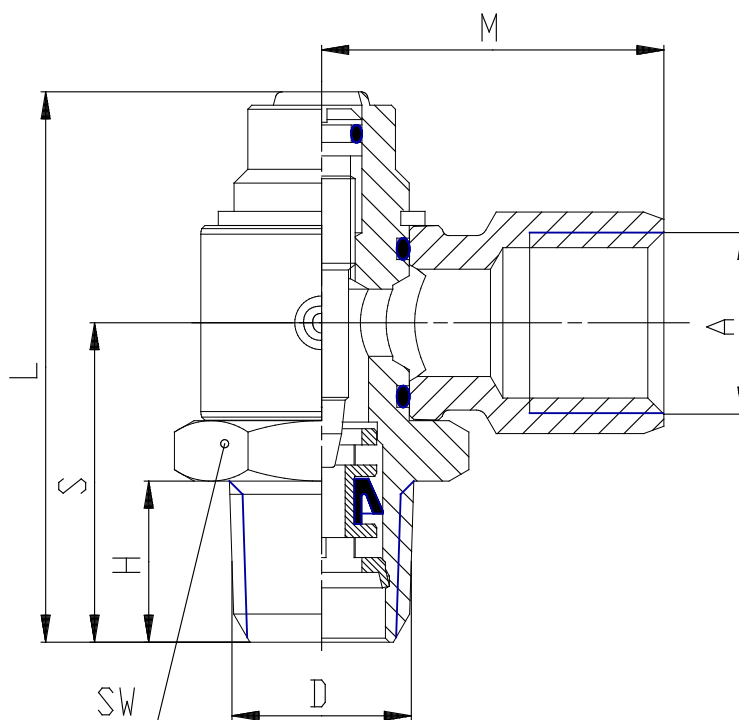


TECHNICAL DATA

Mod.	GSCU 02F-02
------	-------------

- Serie GSCU_F

Product code: GSCU 02F-02



DIMENSIONS

A	1/8
D NPTF (INCH)	1/8
H (INCH)	0.315
S (INCH)	0.768
L (INCH)	1.449
M (INCH)	0.787
(INCH)	0.551