

Valves - Series GSCU

Product code: GSCU 814-M5-4

Datasheet creation date: 10/03/2025 12:12

Check the most updated document online [click here](#)

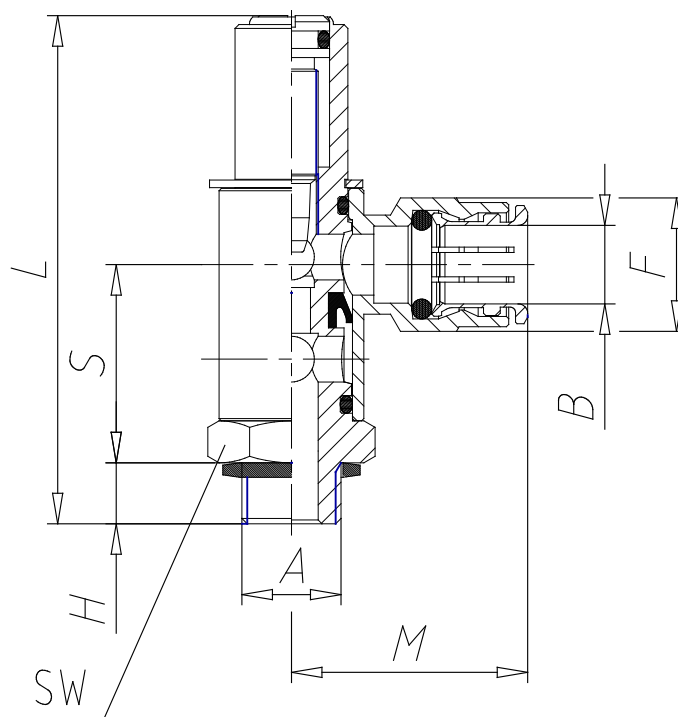


TECHNICAL DATA

Mod.	GSCU 814-M5-4
------	---------------

Valves - Series GSCU

Product code: GSCU 814-M5-4



DIMENSIONS

A	M5
B (mm)	4
S (mm)	12.0
H (mm)	3
L (mm)	27.5
M (mm)	19.0
F (mm)	8.8
SW (mm)	8