

Piston Rod Socket Joint - Mod. GY

Product code: GY-20

Datasheet creation date: 07/03/2025 15:55

Check the most updated document online [click here](#)

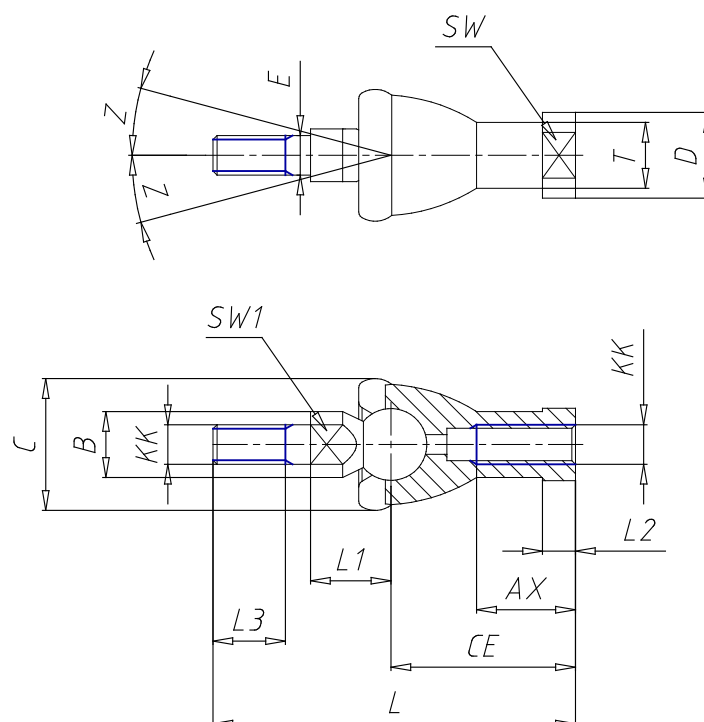


TECHNICAL DATA

| | |
|------|-------|
| Mod. | GY-20 |
|------|-------|

Piston Rod Socket Joint - Mod. GY

Product code: GY-20



DIMENSIONS

| | |
|----------|----------|
| KK | M 8x1.25 |
| L (mm) | 65 |
| CE (mm) | 32 |
| L2 (mm) | 5.0 |
| AX (mm) | 16 |
| E (mm) | 8 |
| Ø B (mm) | 12 |
| Ø C (mm) | 24 |
| Ø T (mm) | 12.5 |
| Ø D (mm) | 16 |
| L1 (mm) | 16.0 |
| L3 (mm) | 12 |
| SW1 (mm) | 10 |
| SW (mm) | 14 |
| Z (mm) | 15 |