

Piston Rod Socket Joint - Mod. GY

Product code: GY-40

Datasheet creation date: 07/03/2025 16:03

Check the most updated document online [click here](#)

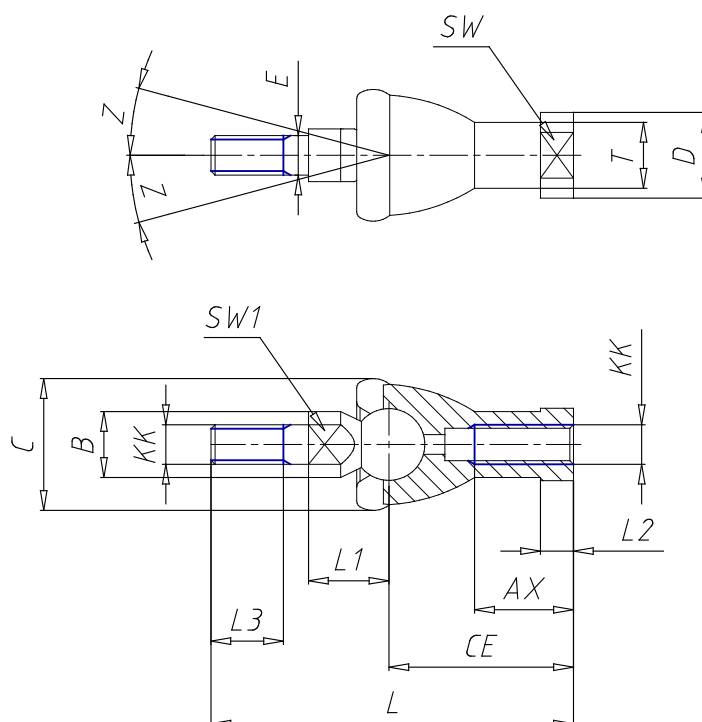


TECHNICAL DATA

| | |
|------|-------|
| Mod. | GY-40 |
|------|-------|

Piston Rod Socket Joint - Mod. GY

Product code: GY-40



DIMENSIONS

| | |
|----------|-----------|
| KK | M 12x1.25 |
| L (mm) | 84 |
| CE (mm) | 40 |
| L2 (mm) | 6.5 |
| AX (mm) | 20 |
| SW (mm) | 19 |
| SW1 (mm) | 17 |
| L1 (mm) | 22.0 |
| L3 (mm) | 17 |
| Ø T (mm) | 17.5 |
| Ø D (mm) | 22 |
| E (mm) | 12 |
| Ø B (mm) | 19 |
| Ø C (mm) | 32 |
| Z (mm) | 15.0 |