

Explosion-proof Coil for potentially explosive ambients (group II) - Mod. H8..

Product code: H83I

Datasheet creation date: 10/03/2025 10:53

Check the most updated document online [click here](#)

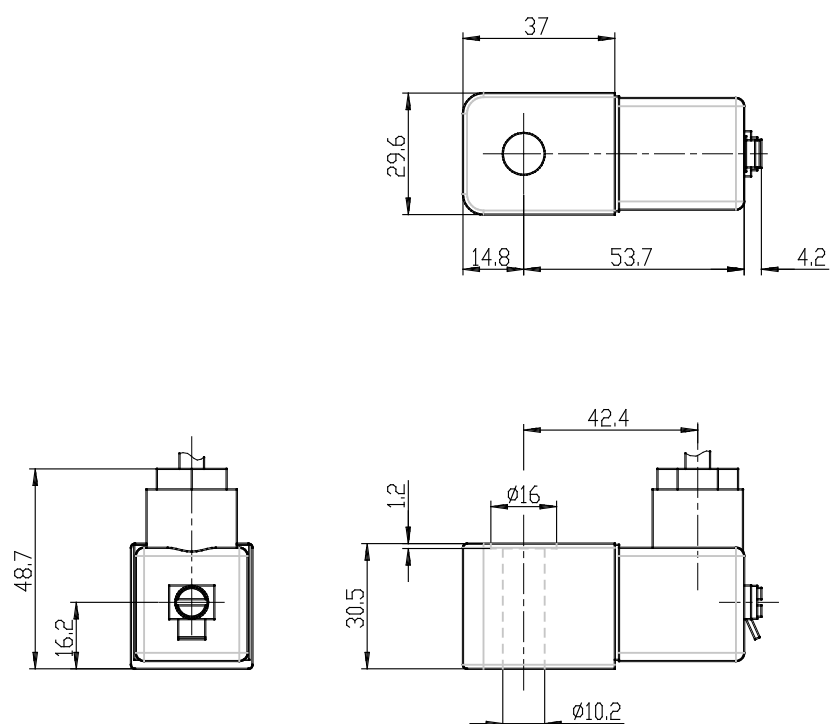


TECHNICAL DATA

Mod.	H83I
Voltage (V)	24
Frequency (Hz)	DC

Explosion-proof Coil for potentially explosive ambients (group II) - Mod. H8..

Product code: H83I



DIMENSIONS

Mod.	H83I
Voltage (V)	24
Frequency (Hz)	DC