

Explosion-proof Coil for potentially explosive ambients (group II) - Mod. H8..

Product code: H8BI

Datasheet creation date: 10/03/2025 10:53

Check the most updated document online [click here](#)

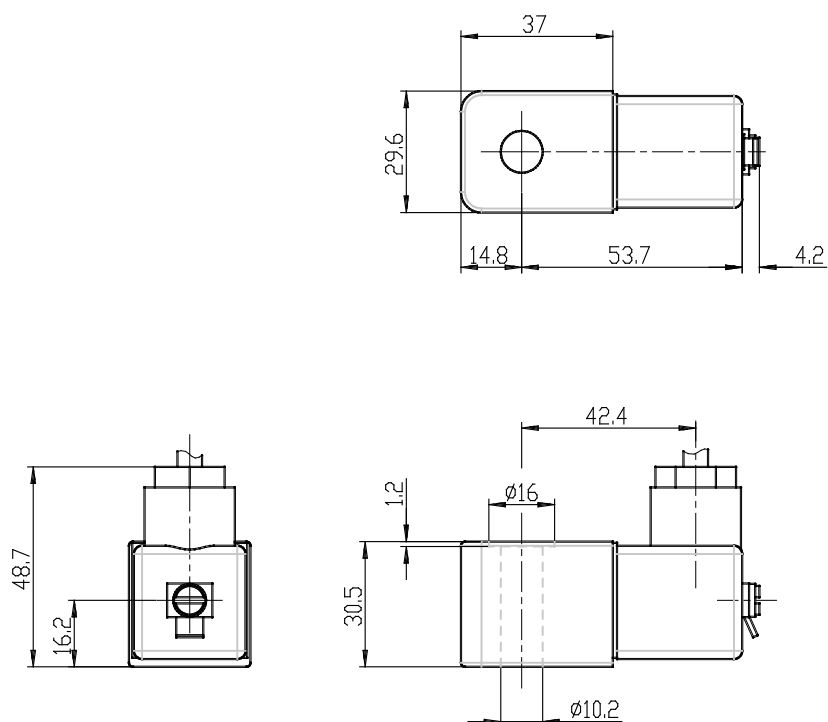


TECHNICAL DATA

Mod.	H8BI
Voltage (V)	24
Frequency (Hz)	50 / 60

Explosion-proof Coil for potentially explosive ambients (group II) - Mod. H8..

Product code: H8BI



DIMENSIONS

Mod.	H8BI
Voltage (V)	24
Frequency (Hz)	50 / 60