

## Explosion-proof Coil for potentially explosive ambients (group II) - Mod. H8..

Product code: H8DI

Datasheet creation date: 10/03/2025 10:53

Check the most updated document online [click here](#)

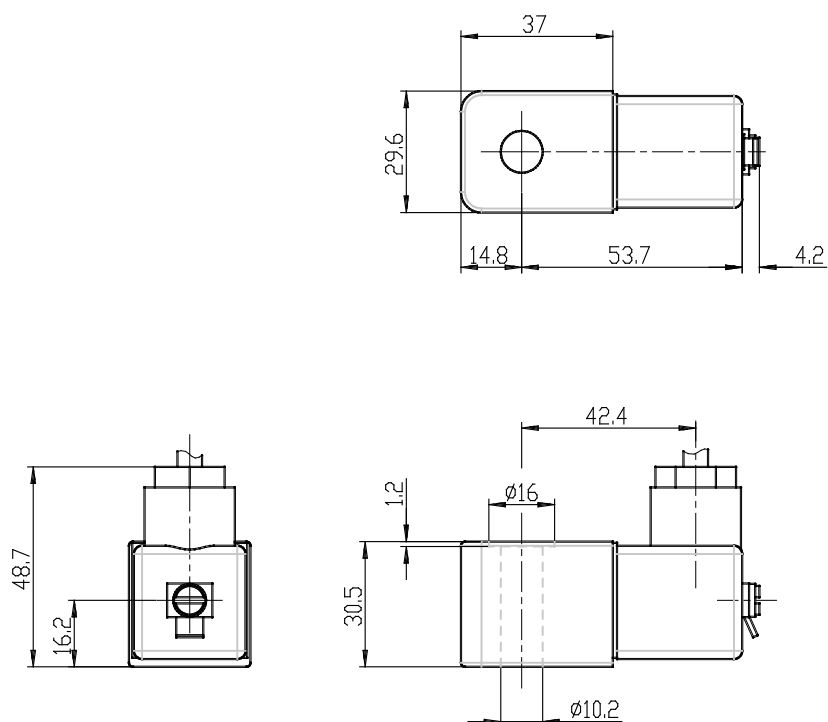


### TECHNICAL DATA

<b>Mod.</b>	H8DI
<b>Voltage (V)</b>	110
<b>Frequency (Hz)</b>	50 / 60

## Explosion-proof Coil for potentially explosive ambients (group II) - Mod. H8..

Product code: H8DI



### DIMENSIONS

<b>Mod.</b>	H8DI
<b>Voltage (V)</b>	110
<b>Frequency (Hz)</b>	50 / 60