

Mod. HP6500 - Series HP6000 fittings

Product code: HP6500 4-M6X0,75

Datasheet creation date: 10/03/2025 02:41

Check the most updated document online [click here](#)

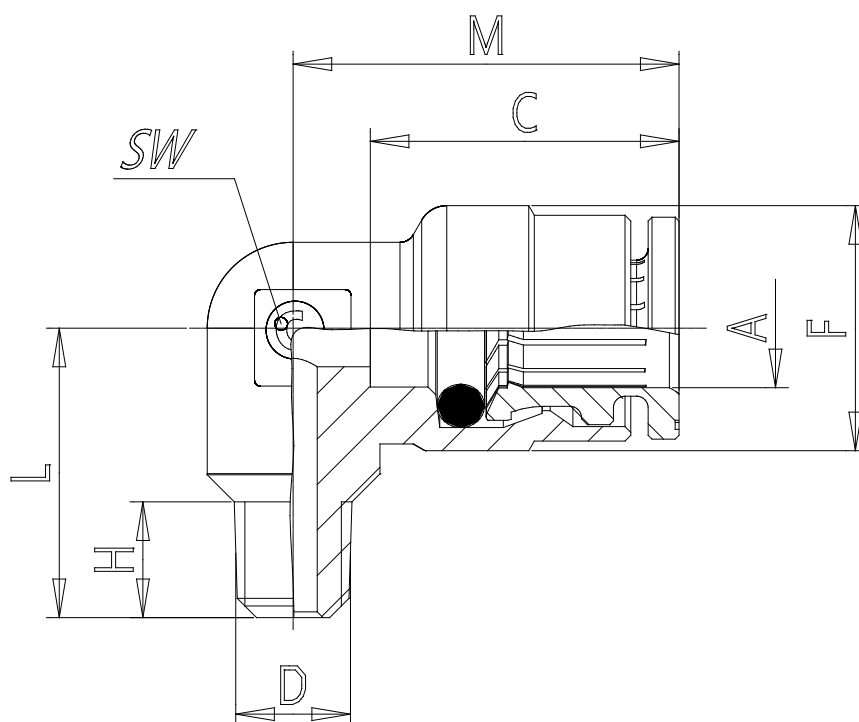


TECHNICAL DATA

Mod.	HP6500 4-M6X0,75
------	------------------

Mod. HP6500 - Series HP6000 fittings

Product code: HP6500 4-M6X0,75



DIMENSIONS

A (mm)	4
D	M6x0,75
C (mm)	14
F (mm)	9.0
H (mm)	6.0
L (mm)	13.5
M (mm)	17.5
SW (mm)	8
Weight (g)	6