

Mod. HP6500 - Series HP6000 fittings

Product code: HP6500 6-1/8

Datasheet creation date: 10/03/2025 09:27

Check the most updated document online [click here](#)

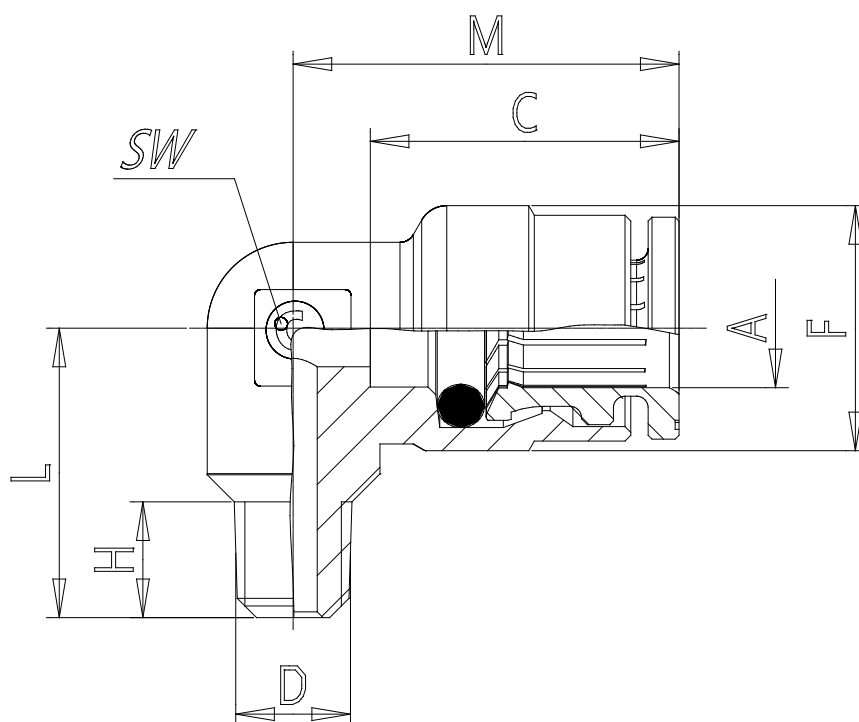


TECHNICAL DATA

Mod.	HP6500 6-1/8
------	--------------

Mod. HP6500 - Series HP6000 fittings

Product code: HP6500 6-1/8



DIMENSIONS

A (mm)	6
D	R1/8
C (mm)	16
F (mm)	12.7
H (mm)	7.5
L (mm)	15.5
M (mm)	20.0
SW (mm)	9
Weight (g)	11