

Mod. HP6500 - Series HP6000 fittings

Product code: HP6500 6-M6

Datasheet creation date: 10/03/2025 02:42

Check the most updated document online [click here](#)

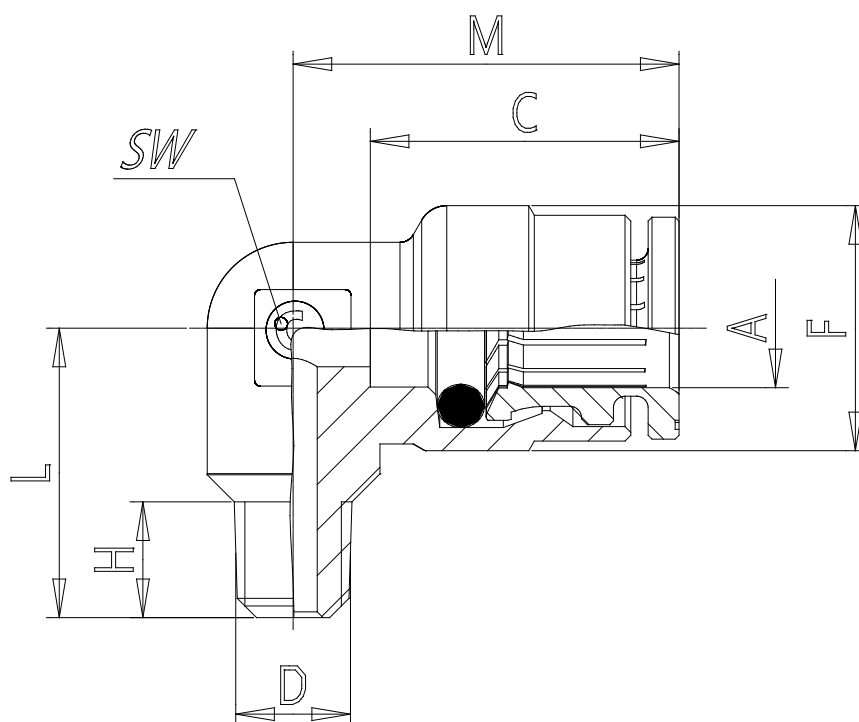


TECHNICAL DATA

Mod.	HP6500 6-M6
------	-------------

Mod. HP6500 - Series HP6000 fittings

Product code: HP6500 6-M6



DIMENSIONS

A (mm)	6
D	M6x1
C (mm)	16
F (mm)	12.7
H (mm)	6.0
L (mm)	15.0
M (mm)	20.0
SW (mm)	9
Weight (g)	8