

## Mod. HP6500 - Series HP6000 fittings

Product code: HP6500 6-M6X0,75

Datasheet creation date: 10/03/2025 02:42

Check the most updated document online [click here](#)

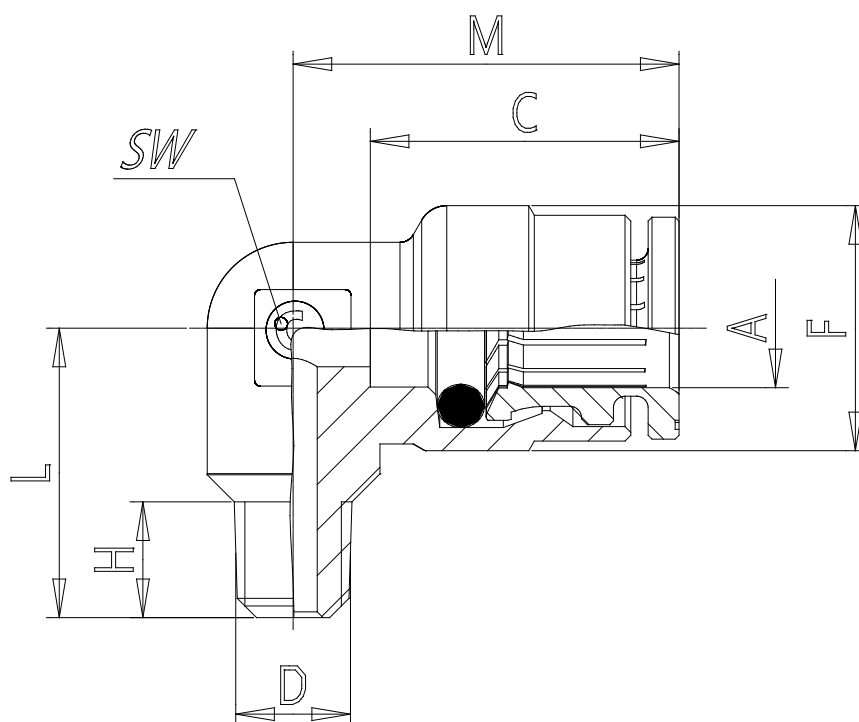


### ■ TECHNICAL DATA

Mod.	HP6500 6-M6X0,75
------	------------------

## Mod. HP6500 - Series HP6000 fittings

Product code: HP6500 6-M6X0,75



### **DIMENSIONS**

<b>A (mm)</b>	6
<b>D</b>	M6x0,75
<b>C (mm)</b>	16
<b>F (mm)</b>	12.7
<b>H (mm)</b>	6.0
<b>L (mm)</b>	15.0
<b>M (mm)</b>	20.0
<b>SW (mm)</b>	9
<b>Weight (g)</b>	8