

Mod. HP6511 VNR - Series HP6000 fittings

Product code: HP6511 4-M10X1-VNR

Datasheet creation date: 10/03/2025 02:42

Check the most updated document online [click here](#)

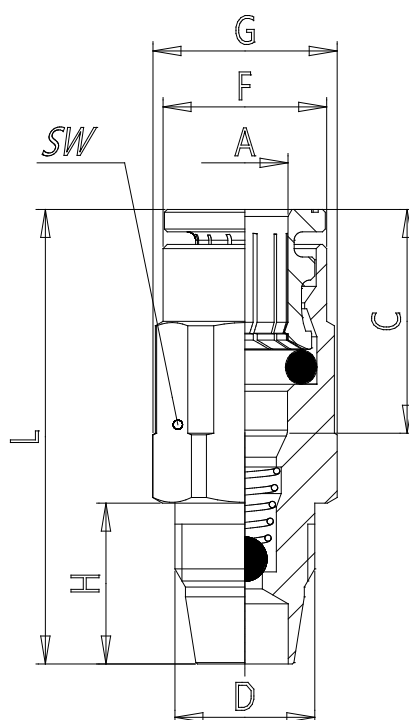


TECHNICAL DATA

Mod.	HP6511 4-M10X1-VNR
------	--------------------

Mod. HP6511 VNR - Series HP6000 fittings

Product code: HP6511 4-M10X1-VNR



DIMENSIONS

A (mm)	4
D (mm)	M10x1
C (mm)	14
F (mm)	8.8
G (mm)	13.2
H (mm)	11.5
L (mm)	33.0
SW (mm)	12
Weight (g)	22