

Mod. HP6512 VNR - Series HP6000 fittings

Product code: HP6512 4-M10X1-VNR

Datasheet creation date: 10/03/2025 02:42

Check the most updated document online [click here](#)

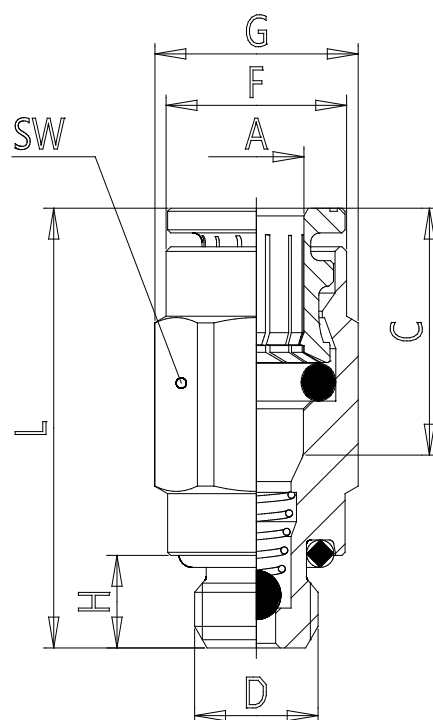


■ TECHNICAL DATA

| | |
|------|--------------------|
| Mod. | HP6512 4-M10X1-VNR |
|------|--------------------|

Mod. HP6512 VNR - Series HP6000 fittings

Product code: HP6512 4-M10X1-VNR



DIMENSIONS

| | |
|-------------------|-------|
| A (mm) | 4 |
| D (mm) | M10x1 |
| C (mm) | 14 |
| F (mm) | 8.8 |
| G (mm) | 13.5 |
| H (mm) | 6 |
| L (mm) | 27.5 |
| SW (mm) | 10 |
| Weight (g) | 18 |