

Mod. HP6512 - Series HP6000 fittings

Product code: HP6512 6-1/4

Datasheet creation date: 10/03/2025 02:43

Check the most updated document online [click here](#)

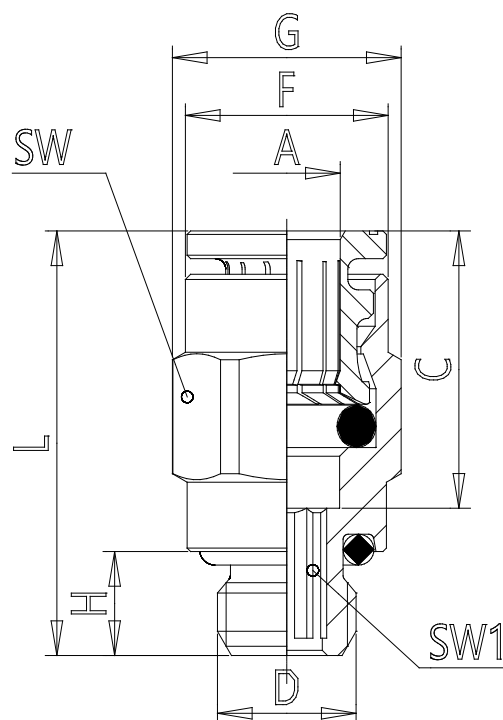


■ TECHNICAL DATA

Mod.	HP6512 6-1/4
------	--------------

Mod. HP6512 - Series HP6000 fittings

Product code: HP6512 6-1/4



DIMENSIONS

A (mm)	6
D (mm)	G1/4
C (mm)	16
F (mm)	11.7
G (mm)	16.4
H (mm)	7.0
L (mm)	22.0
SW (mm)	15
SW1 (mm)	4.0
Weight (g)	13