

## Mod. HP6512 VNR - Series HP6000 fittings

Product code: HP6512 6-M10X1-VNR

Datasheet creation date: 10/03/2025 02:43

Check the most updated document online [click here](#)

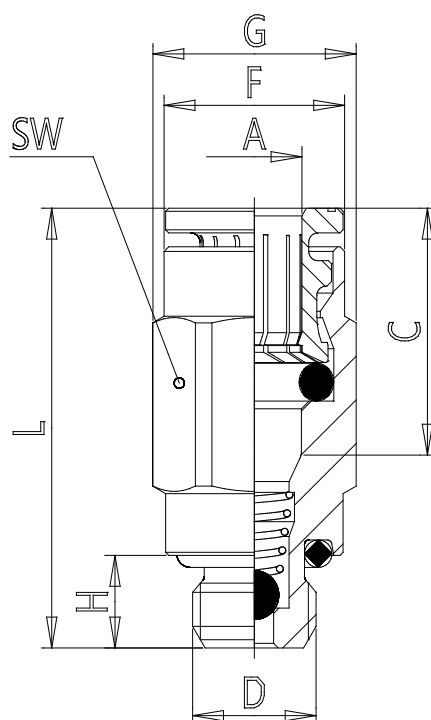


### TECHNICAL DATA

Mod.	HP6512 6-M10X1-VNR
------	--------------------

## Mod. HP6512 VNR - Series HP6000 fittings

Product code: HP6512 6-M10X1-VNR



### **DIMENSIONS**

<b>A (mm)</b>	6
<b>D (mm)</b>	M10x1
<b>C (mm)</b>	16
<b>F (mm)</b>	11.7
<b>G (mm)</b>	13.5
<b>H (mm)</b>	6
<b>L (mm)</b>	27.0
<b>SW (mm)</b>	12
<b>Weight (g)</b>	21.5