

## Mod. HP6512 - Series HP6000 fittings

Product code: HP6512 6-M12X1

Datasheet creation date: 10/03/2025 02:43

Check the most updated document online [click here](#)

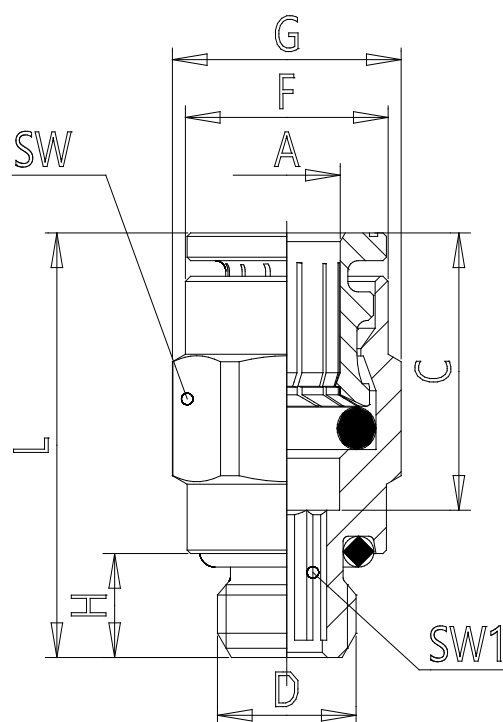


### ■ TECHNICAL DATA

Mod.	HP6512 6-M12X1
------	----------------

## Mod. HP6512 - Series HP6000 fittings

Product code: HP6512 6-M12X1



### DIMENSIONS

<b>A (mm)</b>	6
<b>D (mm)</b>	M12x1
<b>C (mm)</b>	16
<b>F (mm)</b>	11.7
<b>G (mm)</b>	15.4
<b>H (mm)</b>	7.0
<b>L (mm)</b>	22.0
<b>SW (mm)</b>	14
<b>SW1 (mm)</b>	4.0
<b>Weight (g)</b>	13