

Mod. HP6512 VNR - Series HP6000 fittings

Product code: HP6512 6-M8X1-VNR

Datasheet creation date: 10/03/2025 02:43

Check the most updated document online [click here](#)

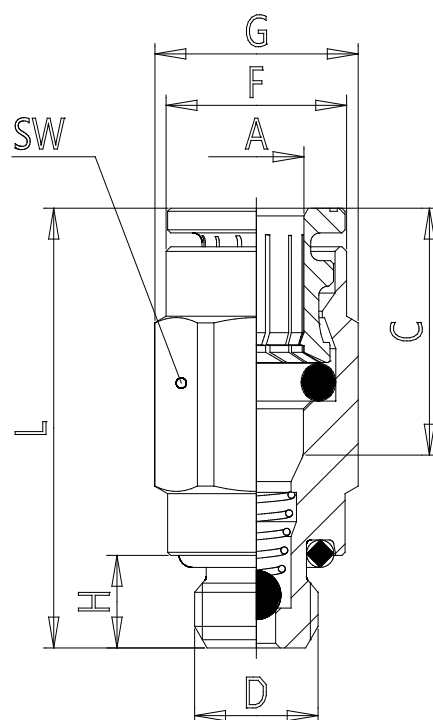


TECHNICAL DATA

Mod.	HP6512 6-M8X1-VNR
------	-------------------

Mod. HP6512 VNR - Series HP6000 fittings

Product code: HP6512 6-M8X1-VNR



DIMENSIONS

A (mm)	6
D (mm)	M8x1
C (mm)	16
F (mm)	11.7
G (mm)	13.2
H (mm)	6
L (mm)	28.5
SW (mm)	12
Weight (g)	17