

## Mod. HP6512 - Series HP6000 fittings

Product code: HP6512 6-M8X1

Datasheet creation date: 10/03/2025 02:43

Check the most updated document online [click here](#)

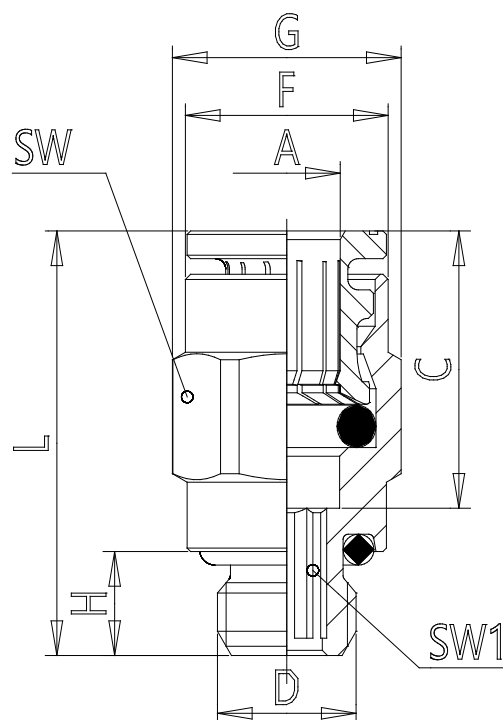


### ■ TECHNICAL DATA

Mod.	HP6512 6-M8X1
------	---------------

## Mod. HP6512 - Series HP6000 fittings

Product code: HP6512 6-M8X1



### DIMENSIONS

A (mm)	6
D (mm)	M8x1
C (mm)	16
F (mm)	11.7
G (mm)	13.2
H (mm)	6.0
L (mm)	24.5
SW (mm)	12
SW1 (mm)	4.0
Weight (g)	8