

Mod. HP6520 - Series HP6000 fittings

Product code: HP6520 6-1/4

Datasheet creation date: 10/03/2025 02:43

Check the most updated document online [click here](#)

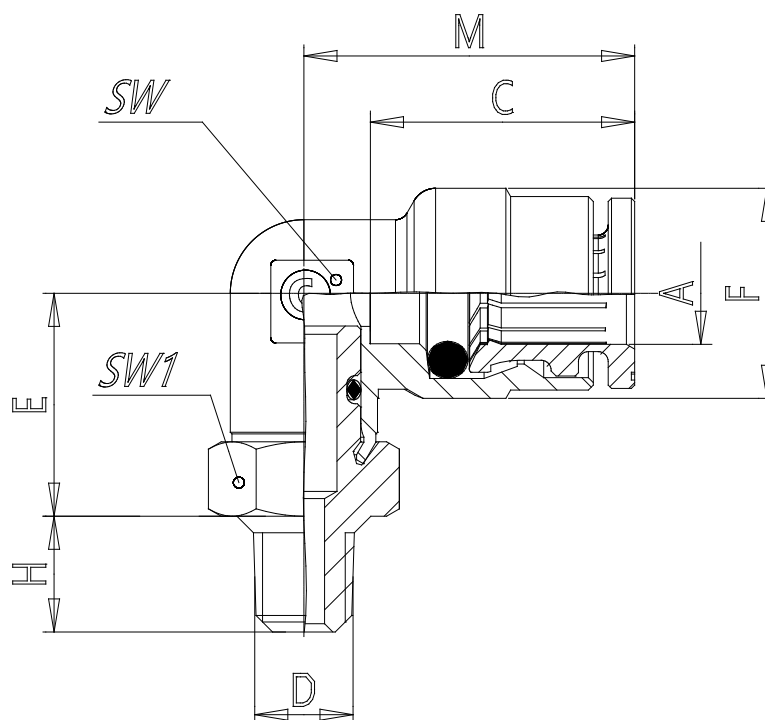


TECHNICAL DATA

Mod.	HP6520 6-1/4
------	--------------

Mod. HP6520 - Series HP6000 fittings

Product code: HP6520 6-1/4



DIMENSIONS

A (mm)	6
D	R1/4
C (mm)	16
E (mm)	13.5
F (mm)	12.7
H (mm)	11.0
M (mm)	20.0
SW (mm)	9
SW1 (mm)	14
Weight (g)	28