

## Mod. HP6522 - Series HP6000 fittings

Product code: HP6522 4-M5

Datasheet creation date: 10/03/2025 02:43

Check the most updated document online [click here](#)

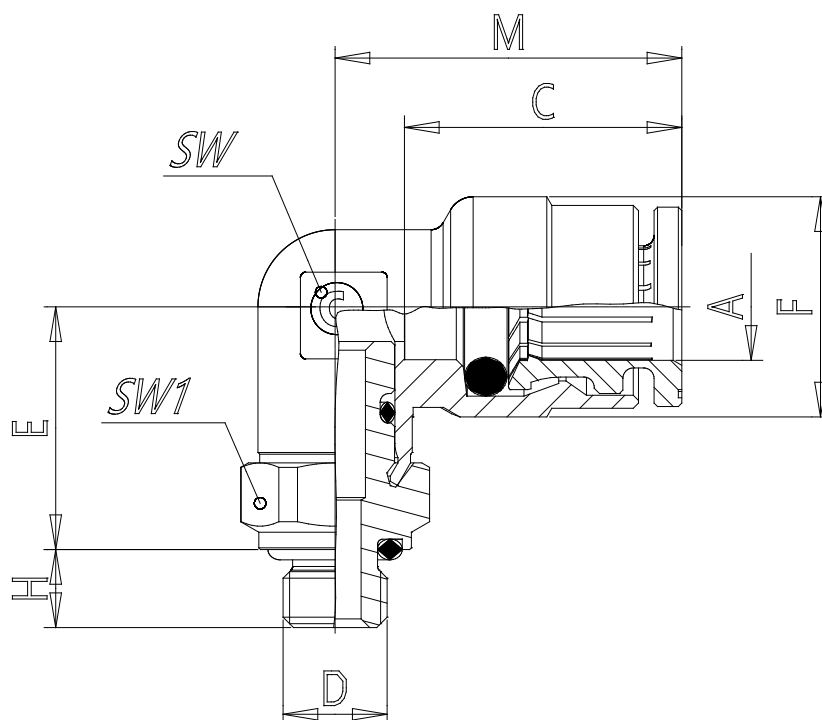


### ■ TECHNICAL DATA

Mod.	HP6522 4-M5
------	-------------

## Mod. HP6522 - Series HP6000 fittings

Product code: HP6522 4-M5



### DIMENSIONS

<b>A (mm)</b>	4
<b>D</b>	M5
<b>C (mm)</b>	14
<b>E (mm)</b>	13.0
<b>F (mm)</b>	9.0
<b>H (mm)</b>	4.0
<b>M (mm)</b>	17.5
<b>SW (mm)</b>	8
<b>SW1 (mm)</b>	8
<b>Weight (g)</b>	12