

Mod. HP6522 - Series HP6000 fittings

Product code: HP6522 4-M6

Datasheet creation date: 10/03/2025 02:44

Check the most updated document online [click here](#)

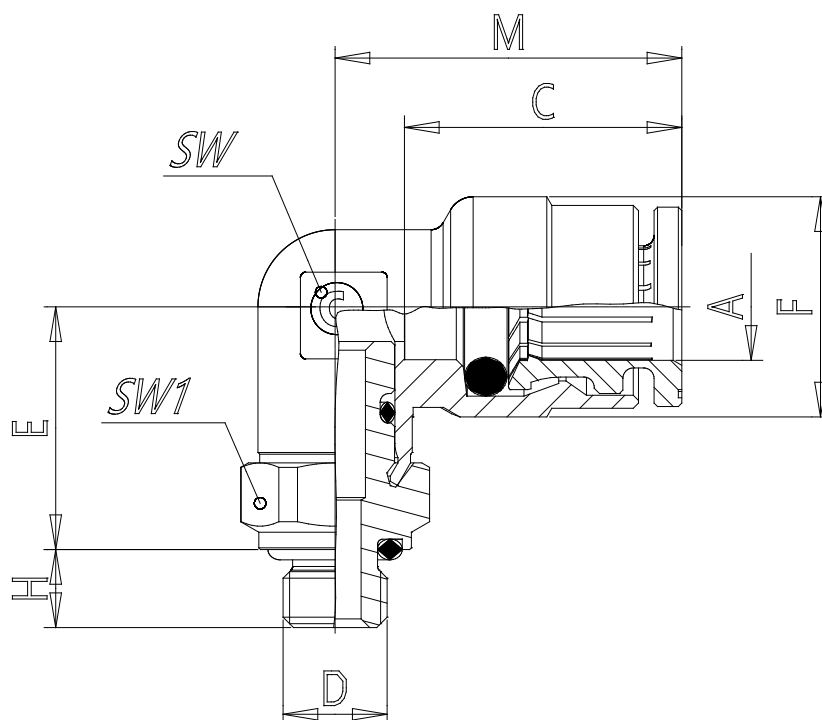


■ TECHNICAL DATA

Mod.	HP6522 4-M6
------	-------------

Mod. HP6522 - Series HP6000 fittings

Product code: HP6522 4-M6



DIMENSIONS

A (mm)	4
D	M6X1
C (mm)	14
E (mm)	13.0
F (mm)	9.0
H (mm)	4.5
M (mm)	17.5
SW (mm)	8
SW1 (mm)	9
Weight (g)	14