

Mod. HP6522 - Series HP6000 fittings

Product code: HP6522 6-1/8

Datasheet creation date: 10/03/2025 02:44

Check the most updated document online [click here](#)

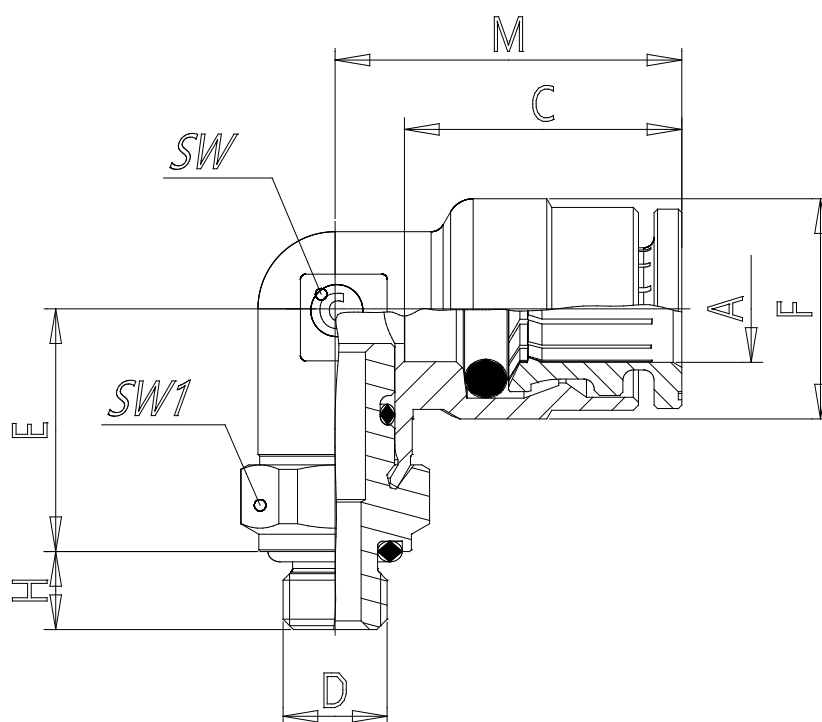


■ TECHNICAL DATA

Mod.	HP6522 6-1/8
------	--------------

Mod. HP6522 - Series HP6000 fittings

Product code: HP6522 6-1/8



DIMENSIONS

A (mm)	6
D	G1/8
C (mm)	16
E (mm)	15.0
F (mm)	12.7
H (mm)	6.0
M (mm)	20.0
SW (mm)	9
SW1 (mm)	12
Weight (g)	19