

## Mod. HP6522 - Series HP6000 fittings

Product code: HP6522 6-M6

Datasheet creation date: 10/03/2025 02:44

Check the most updated document online [click here](#)

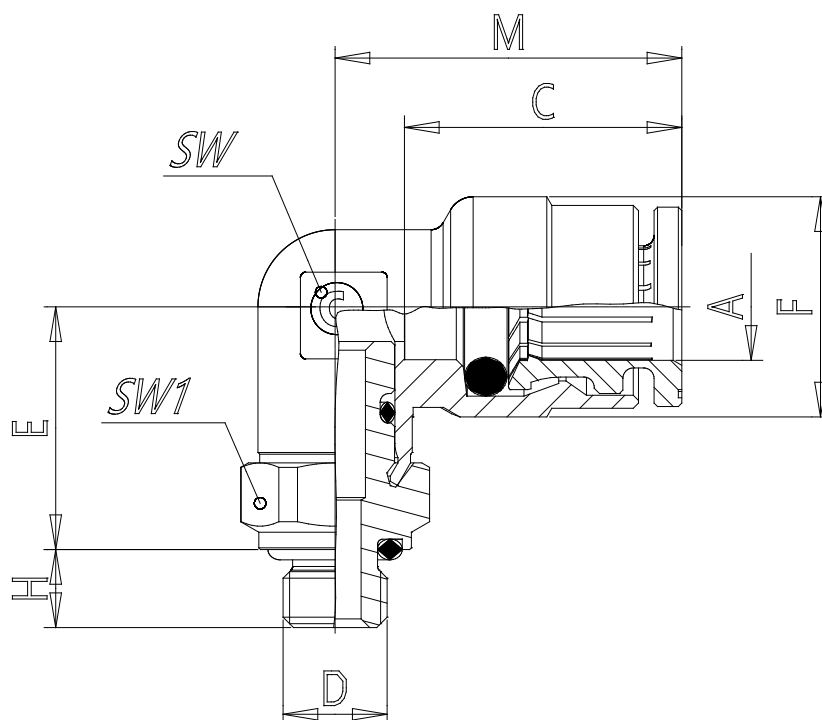


### TECHNICAL DATA

Mod.	HP6522 6-M6
------	-------------

## Mod. HP6522 - Series HP6000 fittings

Product code: HP6522 6-M6



### DIMENSIONS

<b>A (mm)</b>	6
<b>D</b>	M6X1
<b>C (mm)</b>	16
<b>E (mm)</b>	14.0
<b>F (mm)</b>	12.7
<b>H (mm)</b>	4.5
<b>M (mm)</b>	20.0
<b>SW (mm)</b>	9
<b>SW1 (mm)</b>	10
<b>Weight (g)</b>	16