

Mod. HP6560 - Series HP6000 fittings

Product code: HP6560 6

Datasheet creation date: 10/03/2025 02:44

Check the most updated document online [click here](#)

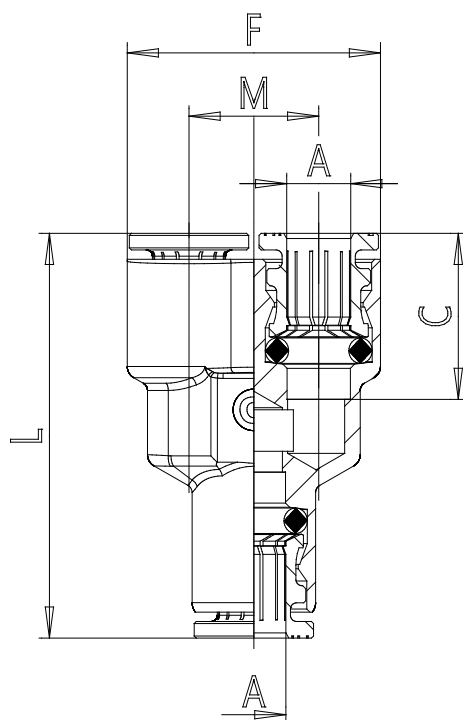


TECHNICAL DATA

Mod.	HP6560 6
------	----------

Mod. HP6560 - Series HP6000 fittings

Product code: HP6560 6



DIMENSIONS

A (mm)	6
C (mm)	16
F (mm)	24.5
L (mm)	39
M (mm)	12.5
Weight (g)	34