

Mod. HP6580 - Series HP6000 fittings

Product code: HP6580 6

Datasheet creation date: 10/03/2025 02:44

Check the most updated document online [click here](#)

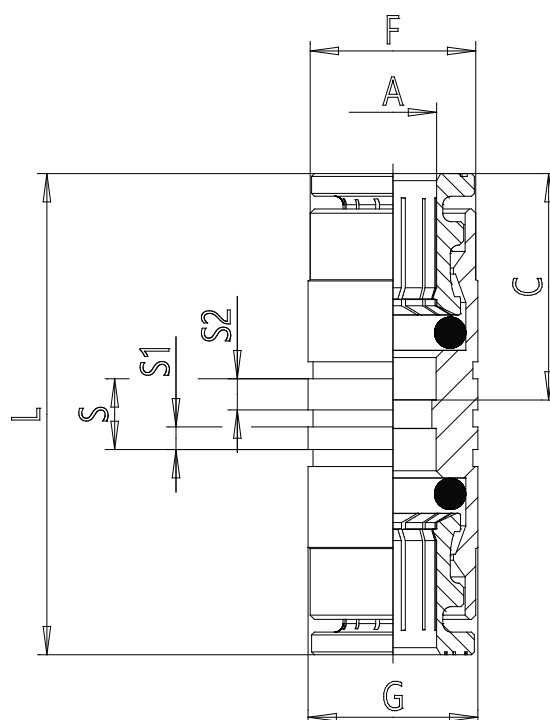


TECHNICAL DATA

Mod.	HP6580 6
------	----------

Mod. HP6580 - Series HP6000 fittings

Product code: HP6580 6



DIMENSIONS

A (mm)	6
C (mm)	16
F (mm)	11.7
G (mm)	12
L (mm)	34
S (mm)	5
S1 (mm)	1.6
S2 (mm)	2.2
Weight (g)	20