

Mod. HP6590 - Series HP6000 fittings

Product code: HP6590 6

Datasheet creation date: 10/03/2025 02:44

Check the most updated document online [click here](#)

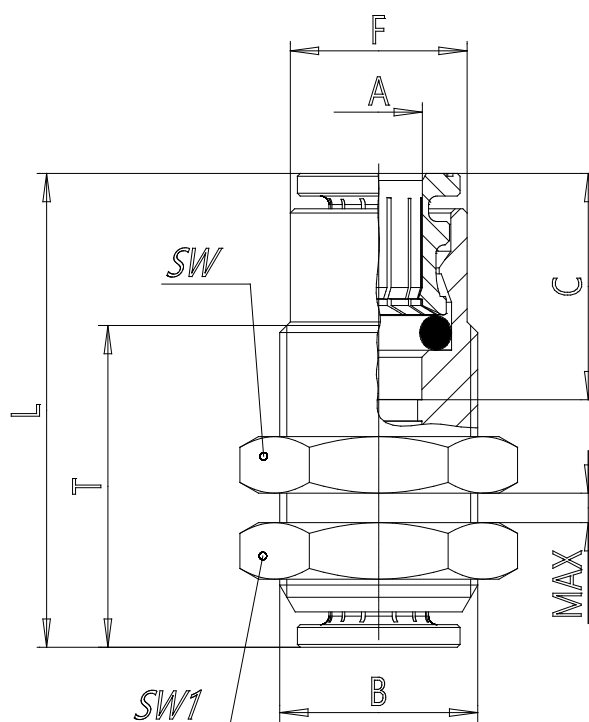


TECHNICAL DATA

Mod.	HP6590 6
------	----------

Mod. HP6590 - Series HP6000 fittings

Product code: HP6590 6



DIMENSIONS

A (mm)	6
B	M14x1
C (mm)	16
F (mm)	12.5
L (mm)	33
MAX (mm)	10.5
SW (mm)	17
SW1 (mm)	17
T (mm)	22.5
Weight (g)	34