

Mod. HP6622 - Series HP6000 fittings

Product code: HP6622 6-M6

Datasheet creation date: 10/03/2025 02:44

Check the most updated document online [click here](#)

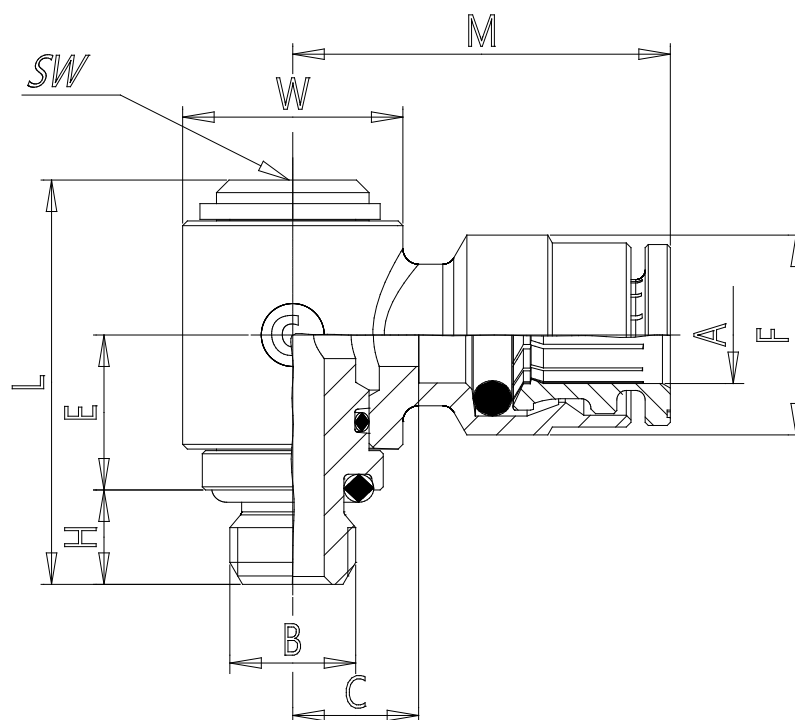


TECHNICAL DATA

Mod.	HP6622 6-M6
------	-------------

Mod. HP6622 - Series HP6000 fittings

Product code: HP6622 6-M6



DIMENSIONS

A (mm)	6
B	M6x1
C (mm)	8
E (mm)	11.50
F (mm)	12.7
H (mm)	4.5
L (mm)	25.8
M (mm)	24
SW (mm)	5
W (mm)	13.9
Weight (g)	27