

Mod. HP6622 - Series HP6000 fittings

Product code: HP6622 6-M8X1

Datasheet creation date: 10/03/2025 02:44

Check the most updated document online [click here](#)

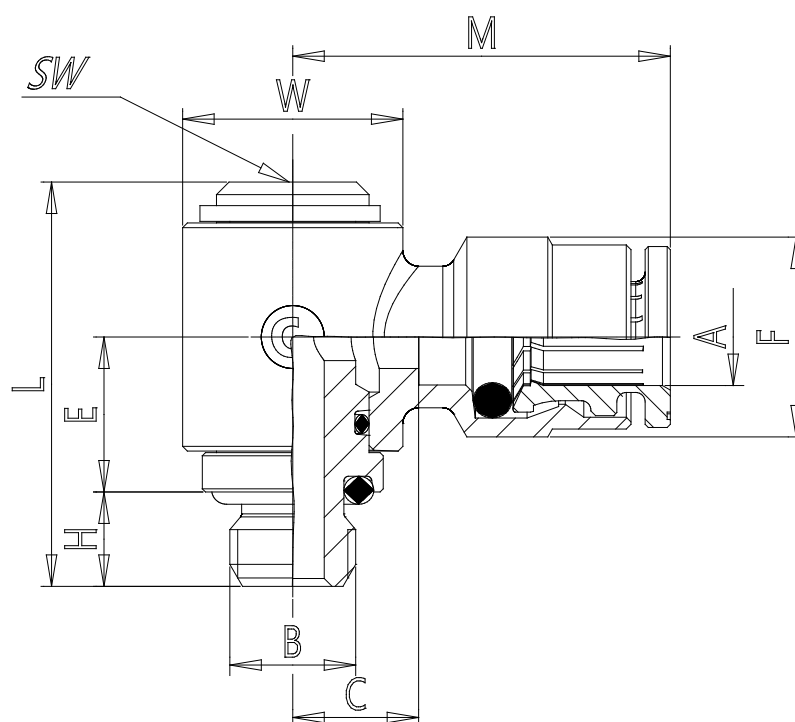


TECHNICAL DATA

Mod.	HP6622 6-M8X1
------	---------------

Mod. HP6622 - Series HP6000 fittings

Product code: HP6622 6-M8X1



DIMENSIONS

A (mm)	6
B	M8x1
C (mm)	8
E (mm)	9.75
F (mm)	12.7
H (mm)	6.0
L (mm)	25.7
M (mm)	24
SW (mm)	5
W (mm)	13.9
Weight (g)	29