

## Mod. HPR6512 - Series HP6000 fittings

Product code: HPR6512 4-M6X0,75

Datasheet creation date: 10/03/2025 02:43

Check the most updated document online [click here](#)

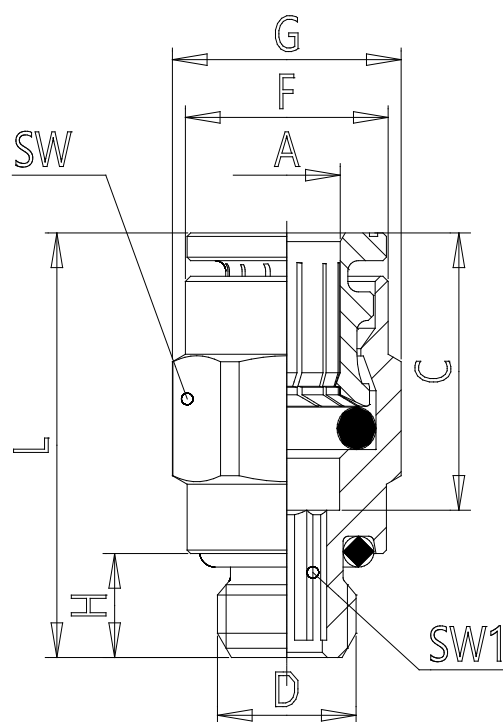


### TECHNICAL DATA

Mod.	HPR6512 4-M6X0,75
------	-------------------

## Mod. HPR6512 - Series HP6000 fittings

Product code: HPR6512 4-M6X0,75



### DIMENSIONS

<b>A (mm)</b>	4
<b>D (mm)</b>	M6x0.75
<b>C (mm)</b>	14
<b>G (mm)</b>	8.8
<b>H (mm)</b>	4.5
<b>L (mm)</b>	20.5
<b>SW1 (mm)</b>	2.5
<b>Weight (g)</b>	6