

## Mod. HPR6512 - Series HP6000 fittings

Product code: HPR6512 6-M5

Datasheet creation date: 10/03/2025 02:43

Check the most updated document online [click here](#)

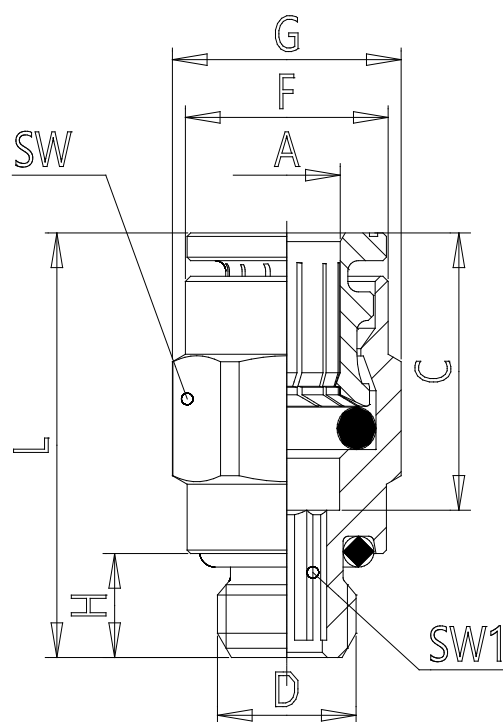


### ■ TECHNICAL DATA

Mod.	HPR6512 6-M5
------	--------------

## Mod. HPR6512 - Series HP6000 fittings

Product code: HPR6512 6-M5



### DIMENSIONS

A (mm)	6
D (mm)	M5x0.8
C (mm)	16
G (mm)	11.7
H (mm)	4.0
L (mm)	22.0
SW1 (mm)	2.0
Weight (g)	8