

## Rear Trunnion bracket - Mod. I

Product code: I-20-25

Datasheet creation date: 07/03/2025 15:55

Check the most updated document online [click here](#)

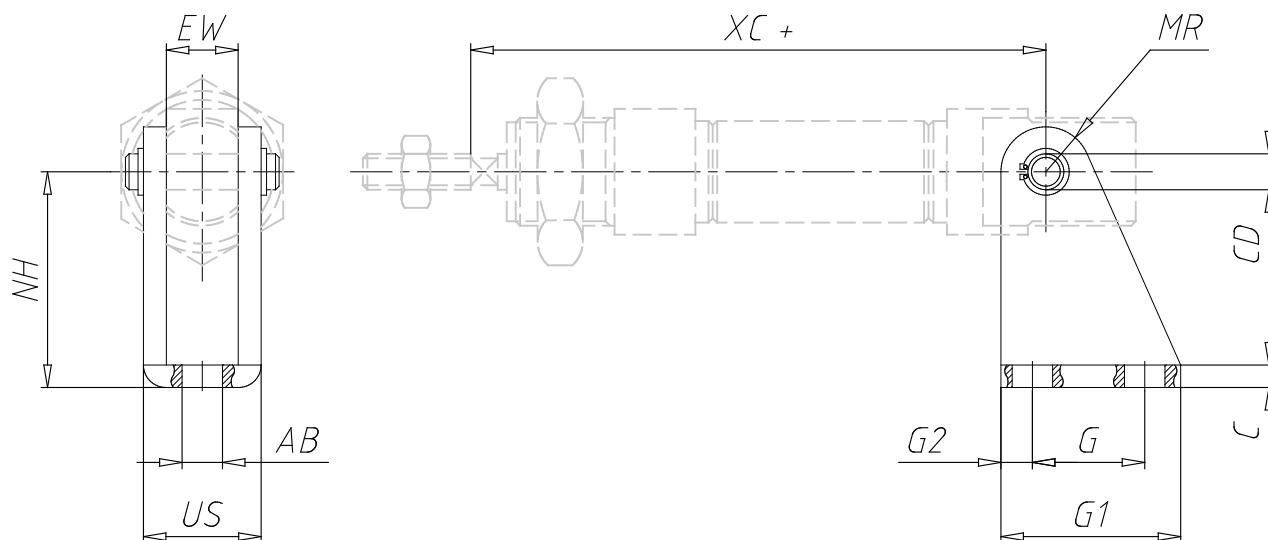


### TECHNICAL DATA

Mod.	I-20-25
------	---------

## Rear Trunnion bracket - Mod. I

Product code: I-20-25



### DIMENSIONS

<b>G1 (mm)</b>	32
<b>G (mm)</b>	20.0
<b>G2 (mm)</b>	6.0
<b>CD (mm)</b>	8
<b>AB (mm)</b>	6.6
<b>C (mm)</b>	4.0
<b>NH (mm)</b>	30
<b>EW (mm)</b>	16
<b>US (mm)</b>	24.1
<b>MR (mm)</b>	10.0
<b>XC (mm)</b>	95 - 104