

Rear Trunnion bracket - Mod. I

Product code: I-24-32

Datasheet creation date: 07/03/2025 15:55

Check the most updated document online [click here](#)

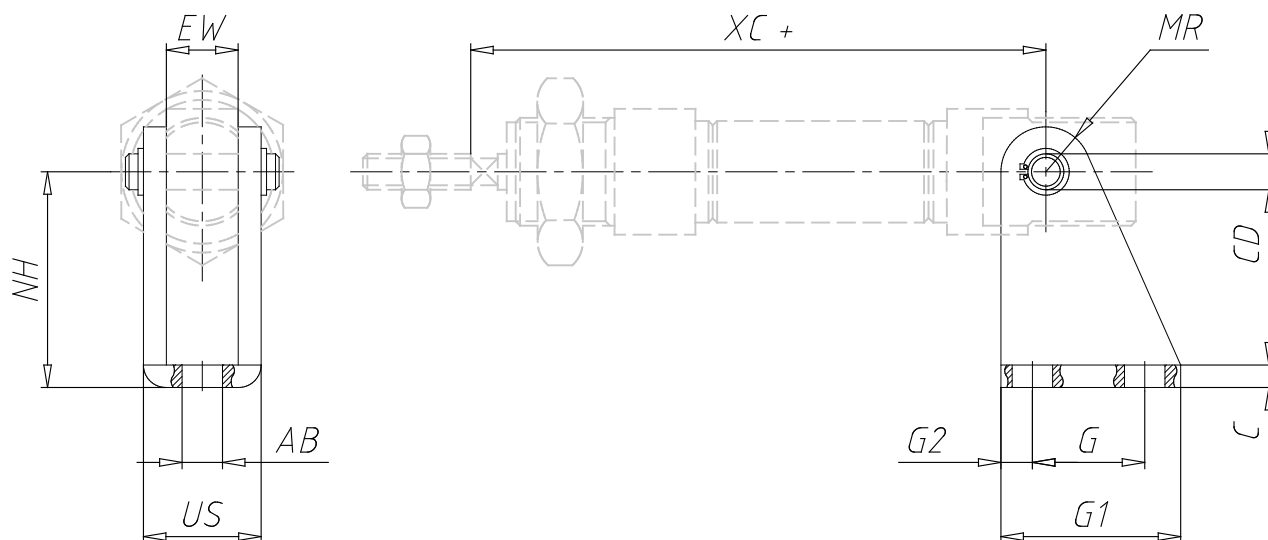


TECHNICAL DATA

Mod.	I-24-32
------	---------

Rear Trunnion bracket - Mod. I

Product code: I-24-32



DIMENSIONS

G1 (mm)	38
G (mm)	24.0
G2 (mm)	7.0
CD (mm)	12
AB (mm)	7.0
C (mm)	4.0
NH (mm)	33
EW (mm)	26
US (mm)	34.0
MR (mm)	11.5
XC (mm)	105