

Rear Trunnion bracket - Mod. I

Product code: I-27-20

Datasheet creation date: 07/03/2025 15:56

Check the most updated document online [click here](#)

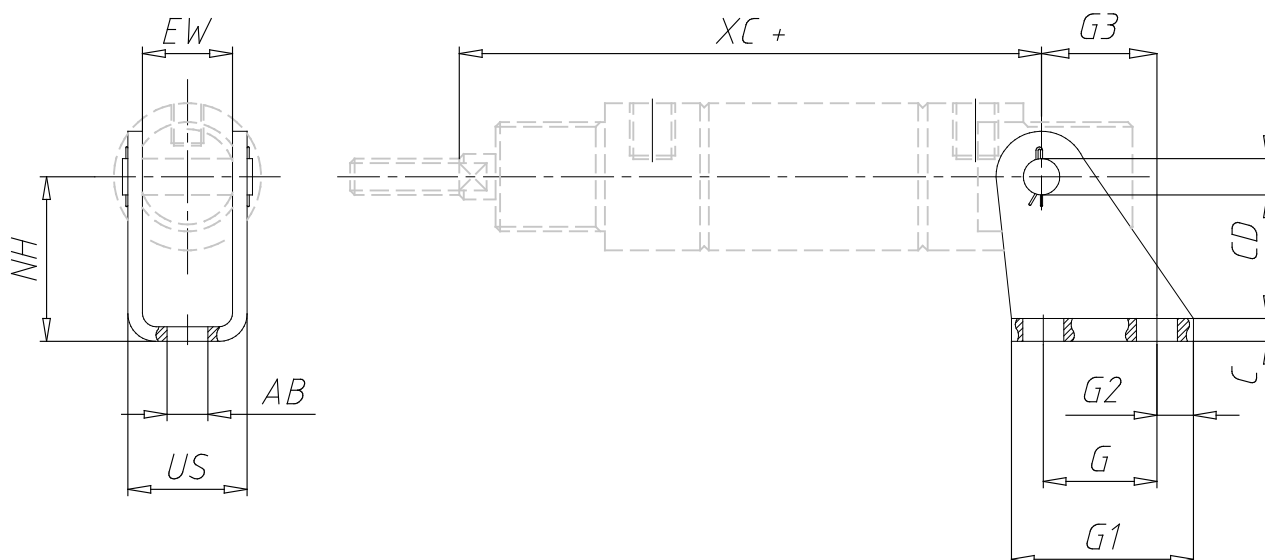


■ TECHNICAL DATA

Mod.	I-27-20
------	---------

Rear Trunnion bracket - Mod. I

Product code: I-27-20



DIMENSIONS

G (mm)	15
G1 (mm)	30
G2 (mm)	8
G3 (mm)	18.5
C (mm)	1.5
XC (mm)	77.0
Ø AB (mm)	5.5
US (mm)	15.0
NH (mm)	20
Ø CD (mm)	6
EW (mm)	12