

Rear Trunnion bracket - Mod. I

Product code: I-27-32

Datasheet creation date: 07/03/2025 15:56

Check the most updated document online [click here](#)

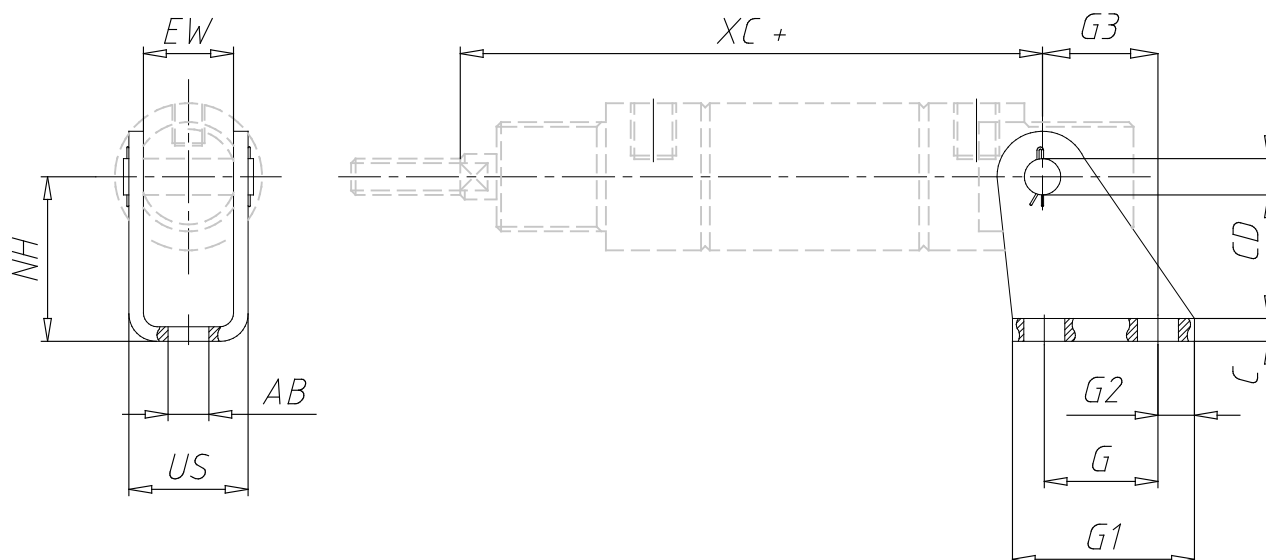


TECHNICAL DATA

Mod.	I-27-32
------	---------

Rear Trunnion bracket - Mod. I

Product code: I-27-32



DIMENSIONS

G (mm)	15
G1 (mm)	35
G2 (mm)	10
G3 (mm)	20.0
C (mm)	2.0
XC (mm)	93.0
∅ AB (mm)	6.6
US (mm)	20.5
NH (mm)	25
∅ CD (mm)	8
EW (mm)	16