

## Rear Trunnion bracket - Mod. I

Product code: I-27-40

Datasheet creation date: 07/03/2025 15:56

Check the most updated document online [click here](#)

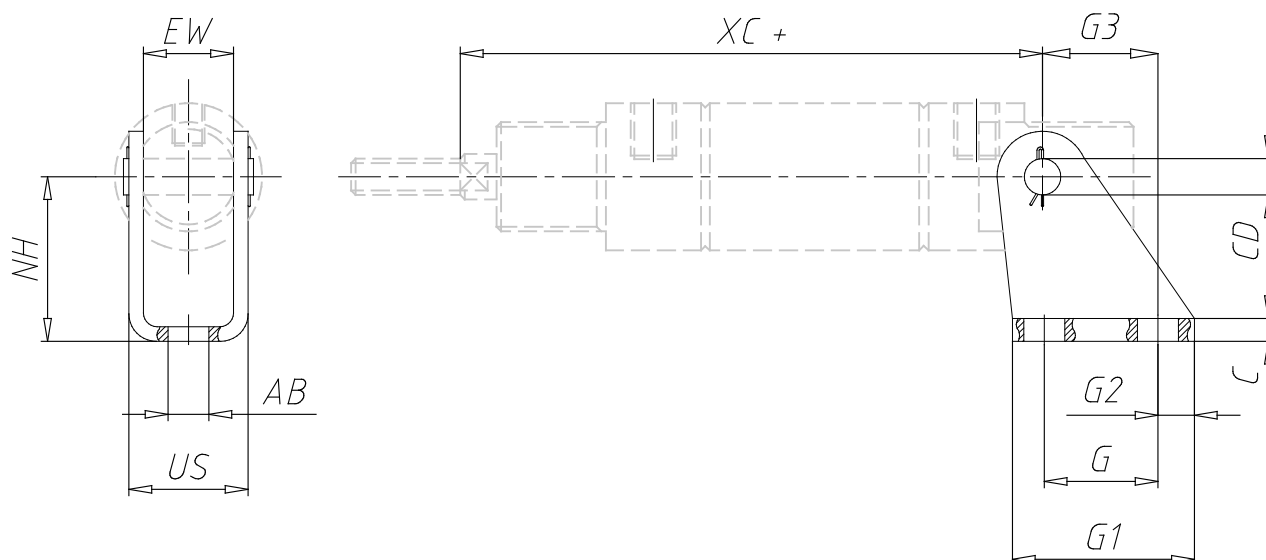


### ■ TECHNICAL DATA

Mod.	I-27-40
------	---------

## Rear Trunnion bracket - Mod. I

Product code: I-27-40



### DIMENSIONS

<b>G (mm)</b>	20
<b>G1 (mm)</b>	42
<b>G2 (mm)</b>	11
<b>G3 (mm)</b>	25.0
<b>C (mm)</b>	3.0
<b>XC (mm)</b>	96.0
<b>Ø AB (mm)</b>	7.0
<b>US (mm)</b>	26.0
<b>NH (mm)</b>	28
<b>Ø CD (mm)</b>	10
<b>EW (mm)</b>	20