

Rear Trunnion bracket - Mod. I

Product code: I-27-63

Datasheet creation date: 07/03/2025 15:56

Check the most updated document online [click here](#)

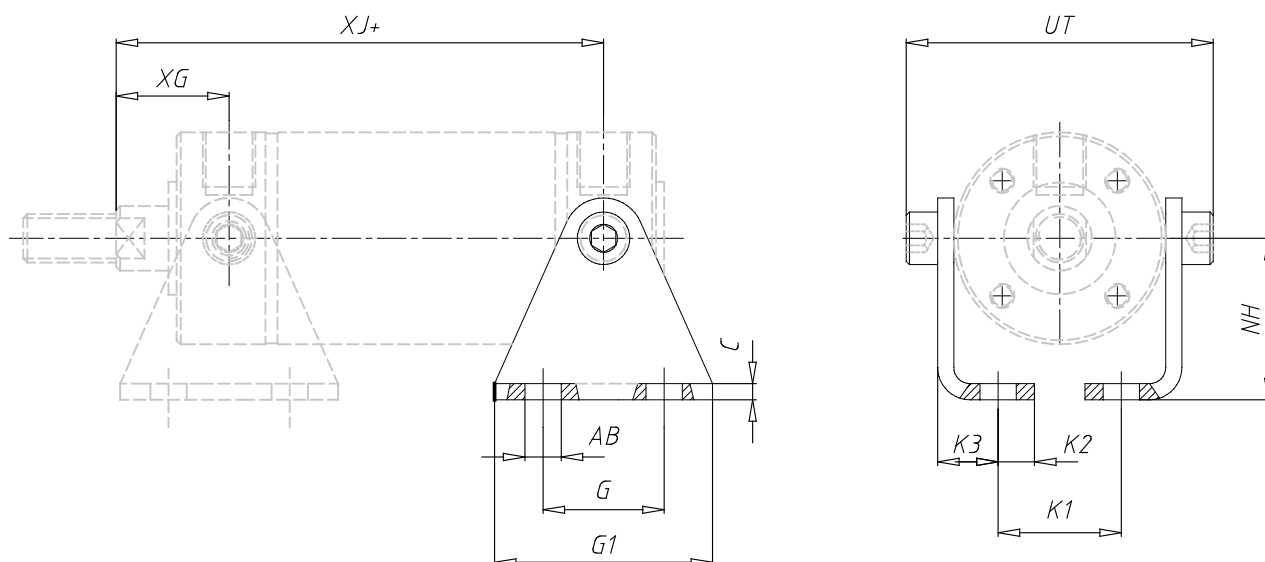


■ TECHNICAL DATA

Mod.	I-27-63
------	---------

Rear Trunnion bracket - Mod. I

Product code: I-27-63



DIMENSIONS

G (mm)	40
G1 (mm)	64
C (mm)	5
XJ (mm)	86
XG (mm)	26
Ø AB (mm)	9
K1 (mm)	40.5
K2 (mm)	9
K3 (mm)	17.5
NH (mm)	47
UT (mm)	84