

Rear Trunnion bracket - Mod. I

Product code: I-8-10

Datasheet creation date: 07/03/2025 15:55

Check the most updated document online [click here](#)

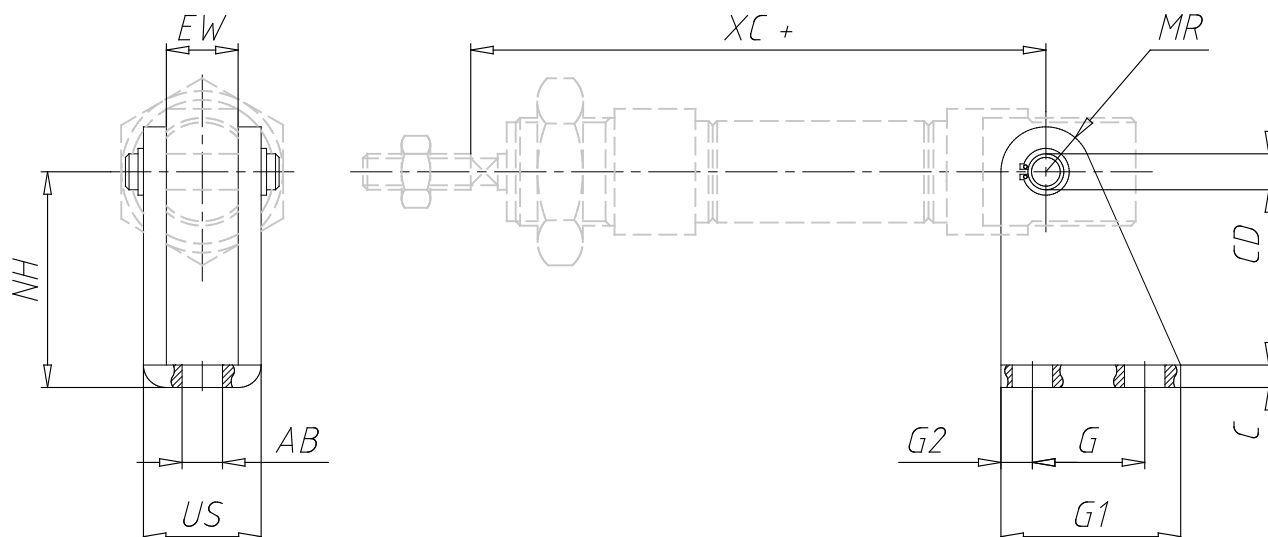


TECHNICAL DATA

Mod.	I-8-10
------	--------

Rear Trunnion bracket - Mod. I

Product code: I-8-10



DIMENSIONS

G1 (mm)	20
G (mm)	12.5
G2 (mm)	3.5
CD (mm)	4
AB (mm)	4.5
C (mm)	2.5
NH (mm)	24
EW (mm)	8
US (mm)	13.1
MR (mm)	5.0
XC (mm)	64