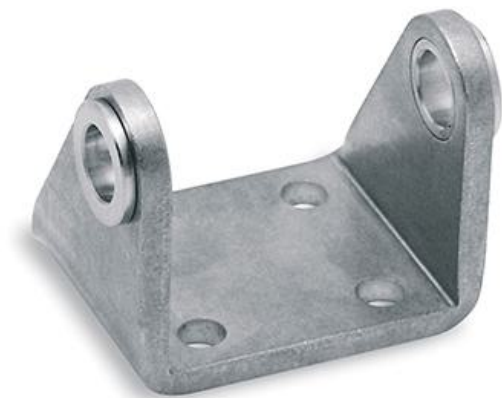


Rear trunnion - Mod. I

Product code: I-97-32

Datasheet creation date: 07/03/2025 15:53

Check the most updated document online [click here](#)

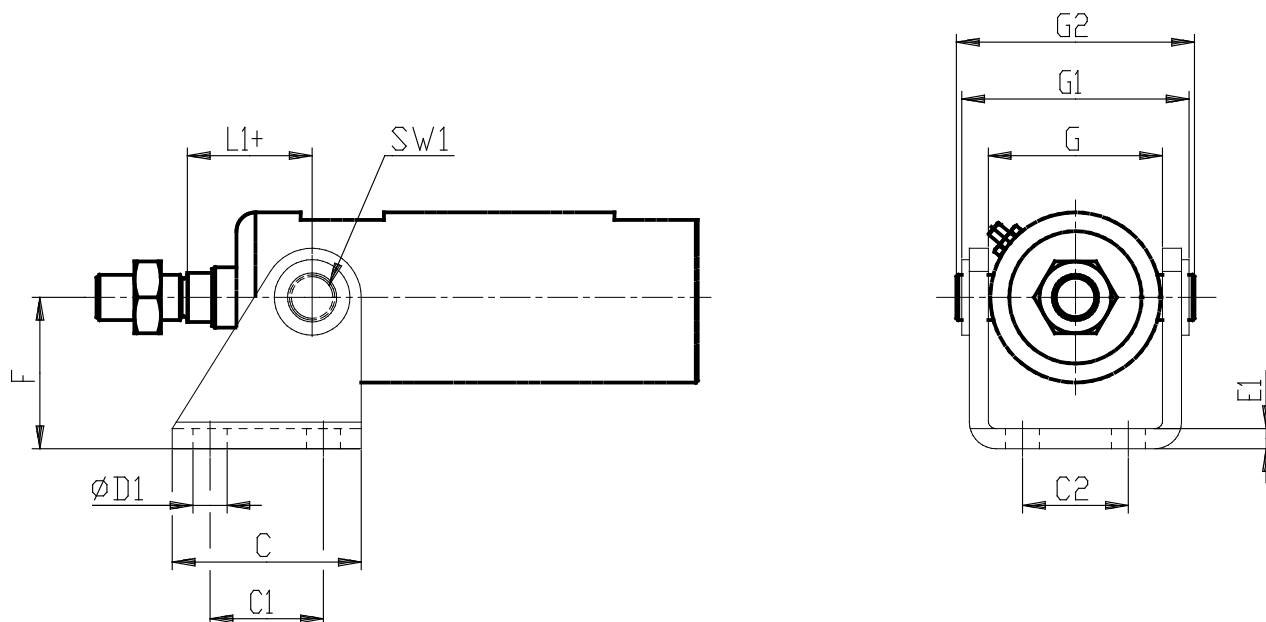


TECHNICAL DATA

Mod.	I-97-32
------	---------

Rear trunnion - Mod. I

Product code: I-97-32



DIMENSIONS

C (mm)	40
C1 (mm)	24
C2 (mm)	20
Ø D1 (mm)	7
E1 (mm)	4
F (mm)	35
G (mm)	38
G1 (mm)	50
G2 (mm)	58
L1 (mm)	27
SW1 (mm)	8