

## Inductive sensors fixing kit - Mod. I-CGSP

Product code: I-CGSP-20

Datasheet creation date: 07/03/2025 16:09

Check the most updated document online [click here](#)

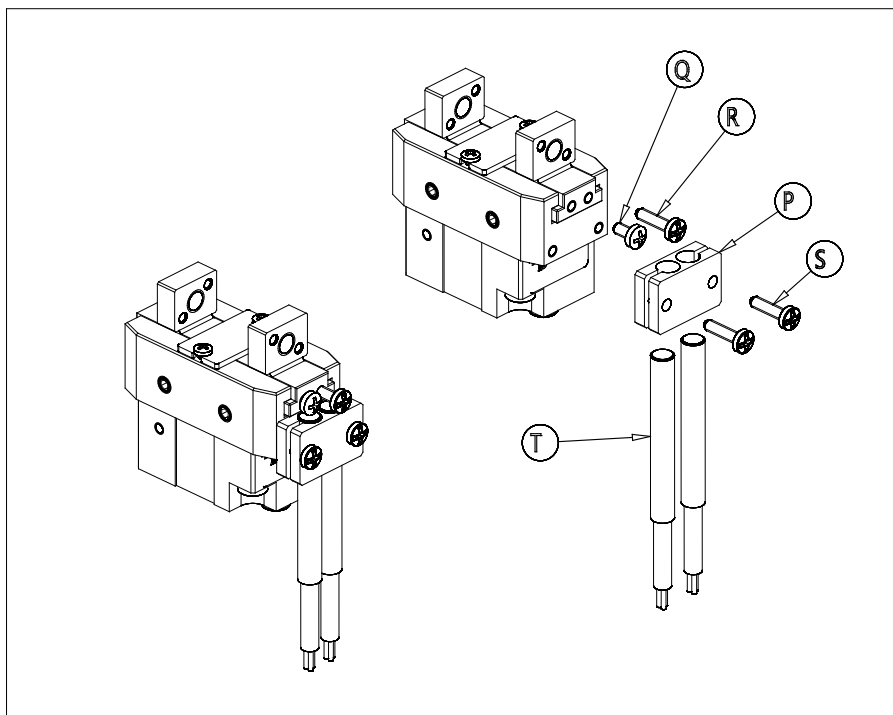


### ■ TECHNICAL DATA

Mod.	I-CGSP-20
------	-----------

## Inductive sensors fixing kit - Mod. I-CGSP

Product code: I-CGSP-20



### **DIMENSIONS**

<b>Q</b>	M1.6x3
<b>R</b>	M1.6x6
<b>S</b>	M2x6
<b>T (mm)</b>	Ø3