

Inductive sensors fixing kit - Mod. I-CGSP

Product code: I-CGSP-25

Datasheet creation date: 07/03/2025 16:09

Check the most updated document online [click here](#)

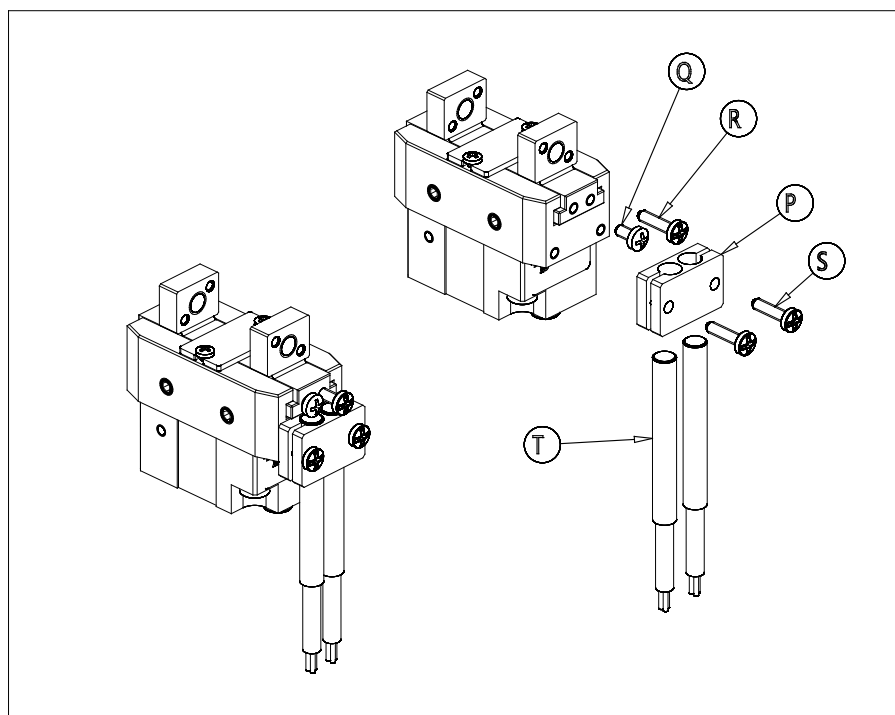


TECHNICAL DATA

Mod.	I-CGSP-25
------	-----------

Inductive sensors fixing kit - Mod. I-CGSP

Product code: I-CGSP-25



DIMENSIONS

Q	M2x4
R	M2x8
S	M2x8
T (mm)	Ø4