

## Inductive sensors fixing kit - Mod. I-CGSP

Product code: I-CGSP-40

Datasheet creation date: 07/03/2025 16:09

Check the most updated document online [click here](#)

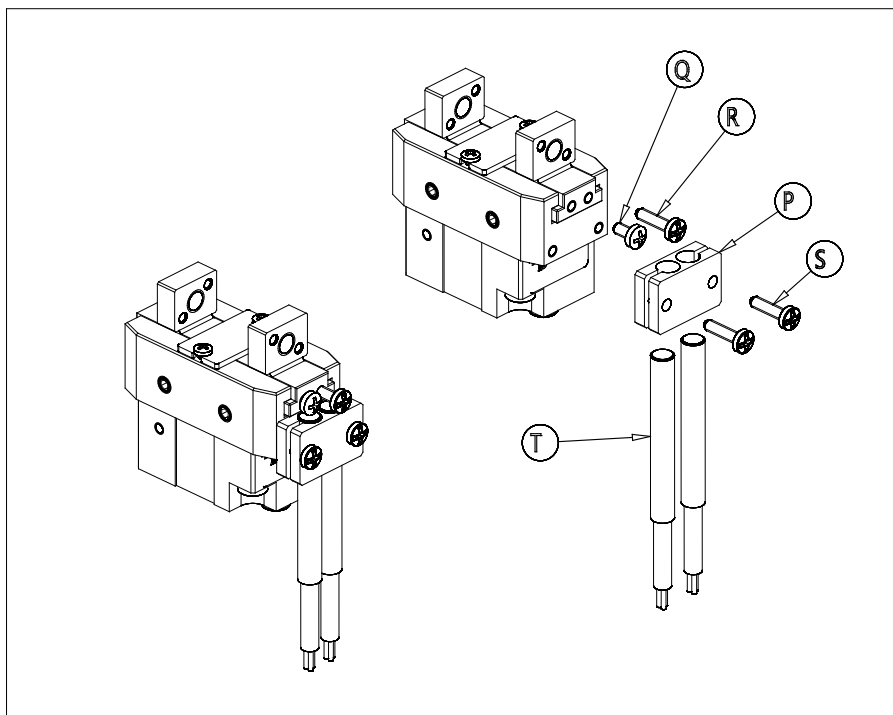


### TECHNICAL DATA

Mod.	I-CGSP-40
------	-----------

## Inductive sensors fixing kit - Mod. I-CGSP

Product code: I-CGSP-40



### DIMENSIONS

<b>Q</b>	M2x4
<b>R</b>	M2x10
<b>S</b>	M2x10
<b>T (mm)</b>	Ø4