

Inductive sensor holder Ø3 - Mod. I-RTC

Product code: I-RTC-150-D

Datasheet creation date: 07/03/2025 16:09

Check the most updated document online [click here](#)

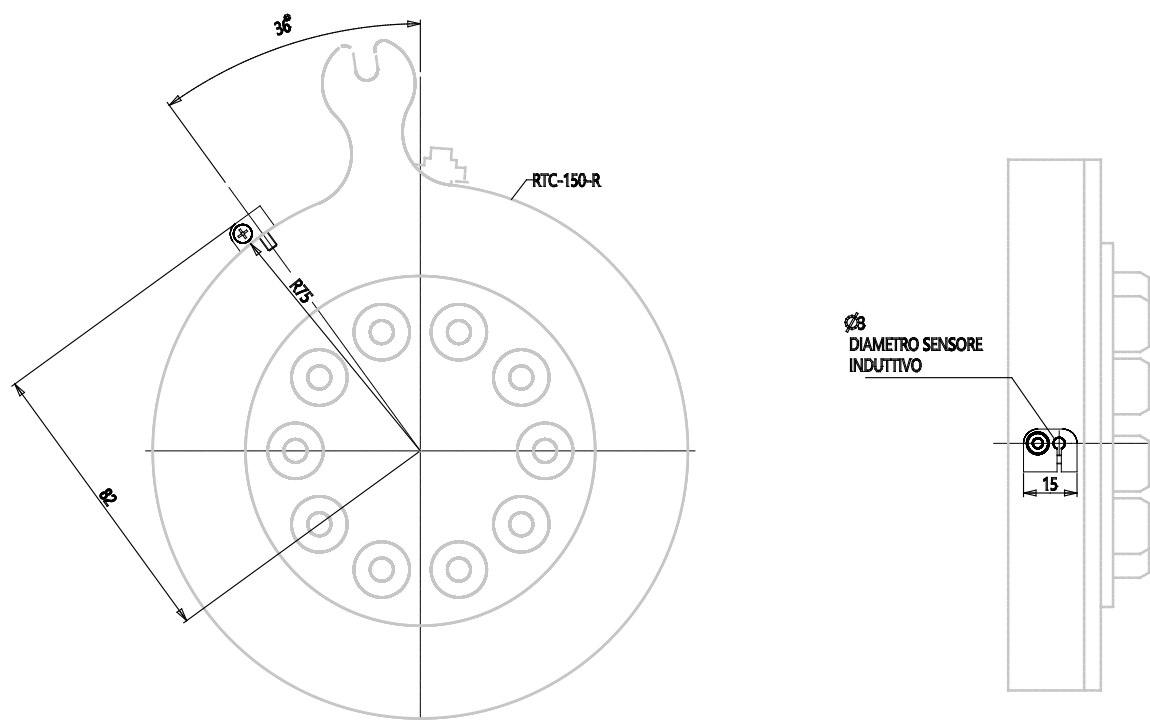


TECHNICAL DATA

Mod.	I-RTC-150-D
------	-------------

Inductive sensor holder Ø3 - Mod. I-RTC

Product code: I-RTC-150-D



DIMENSIONS

Mod.	I-RTC-150-D
------	-------------