

Inductive sensor holder Ø3 - Mod. I-RTC

Product code: I-RTC-50-D

Datasheet creation date: 07/03/2025 16:09

Check the most updated document online [click here](#)

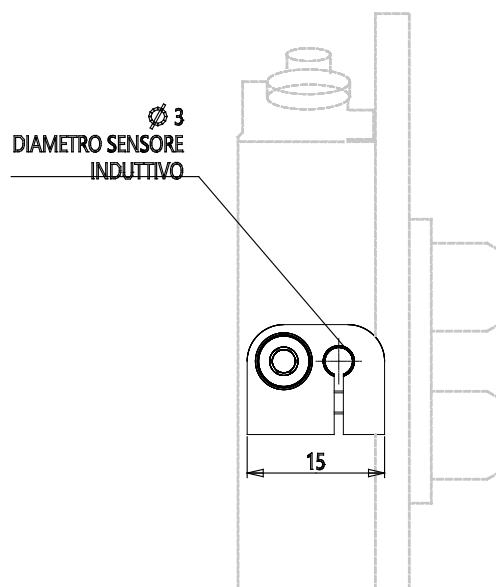
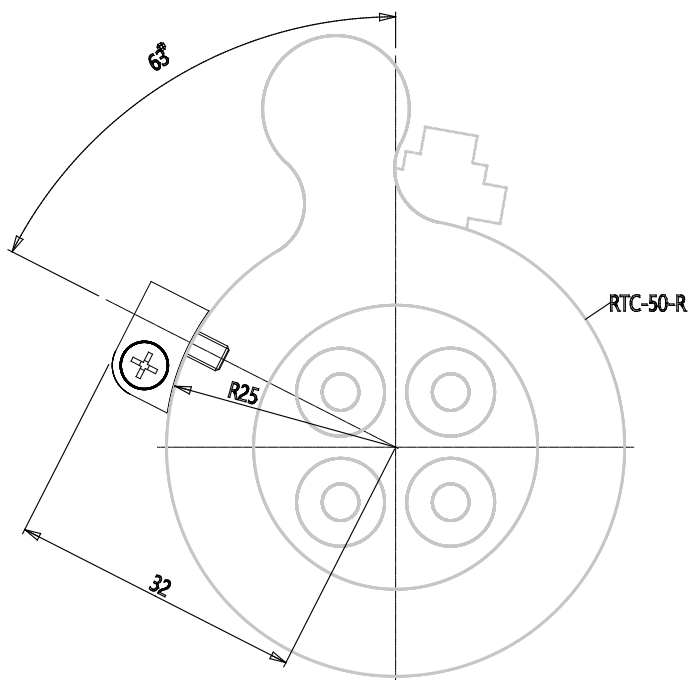


TECHNICAL DATA

Mod.	I-RTC-50-D
------	------------

Inductive sensor holder Ø3 - Mod. I-RTC

Product code: I-RTC-50-D



DIMENSIONS

Mod.	I-RTC-50-D
------	------------