

## Inductive sensor holder Ø3 - Mod. I-RTC-L

Product code: I-RTC-50-L

Datasheet creation date: 07/03/2025 16:09

Check the most updated document online [click here](#)

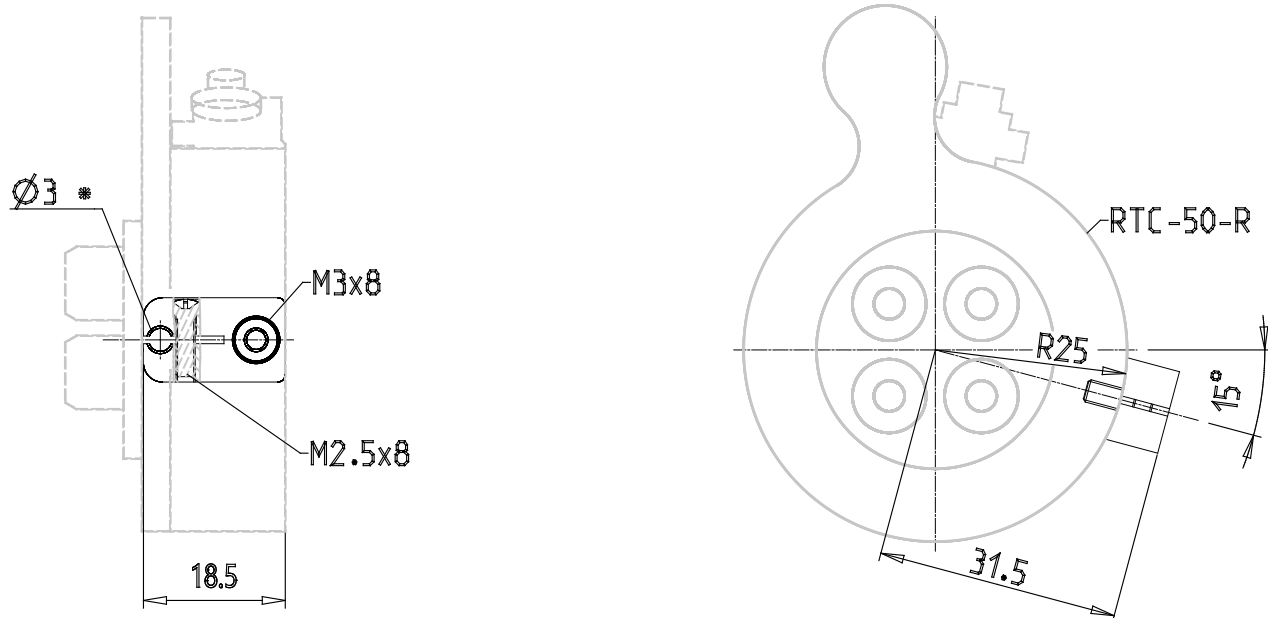


### TECHNICAL DATA

Mod.	I-RTC-50-L
------	------------

## Inductive sensor holder Ø3 - Mod. I-RTC-L

Product code: I-RTC-50-L



### DIMENSIONS

Mod.	I-RTC-50-L
------	------------