

Direct acting solenoid valve (90° connection) - Series K

Product code: K000-102-F32M-OX1

Datasheet creation date: 20/05/2026 04:08

Check the most updated document online [click here](#)

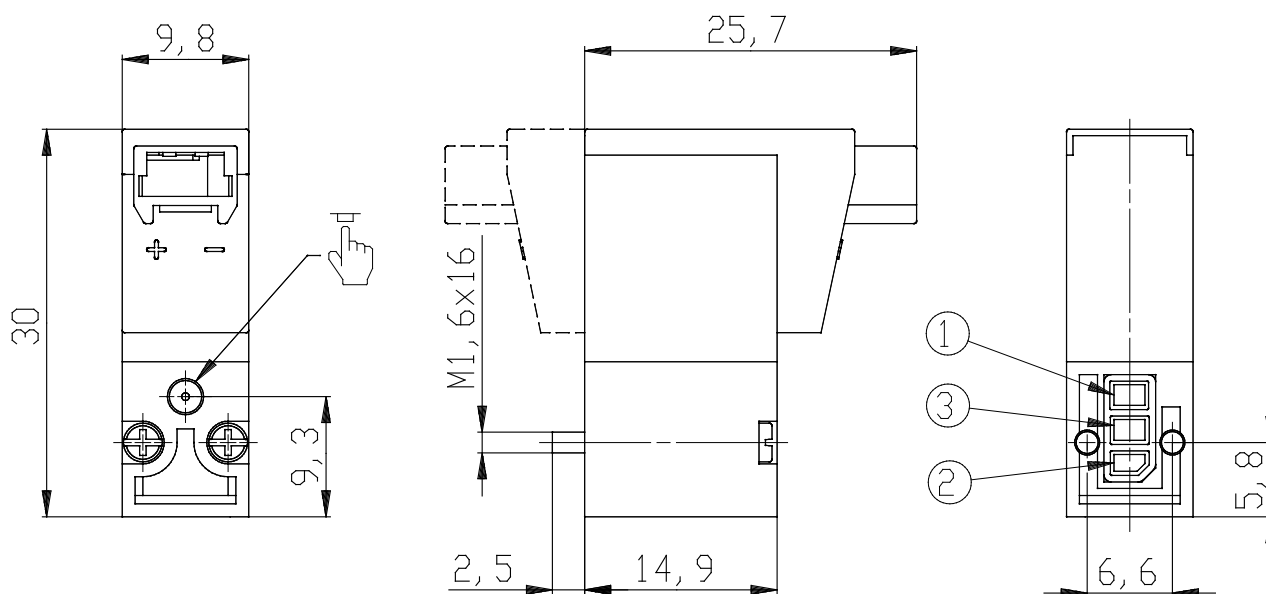


TECHNICAL DATA

Series	K000
Number of ways - functions	1 = 2/2 vie - NC
Thread port	0 = manifold or single base
Orifice diameter	2 = Ø 0.6 mm - 2/2 version
Materials	F = PBT body - FKM poppet seal
Electrical connection	3 = 90° connection
Voltage - power consumption	2 = 12 V DC - 1 W
Fixing	M = fixing screws for metal
Use with oxygen	OX1 = for use with oxygen - cleanliness level according to ASTM G93-03 Standard Level E

Direct acting solenoid valve (90° connection) - Series K

Product code: K000-102-F32M-OX1



DIMENSIONS

Series	K000
Number of ways - functions	1 = 2/2 vie - NC
Thread port	0 = manifold or single base
Orifice diameter	2 = Ø 0.6 mm - 2/2 version
Materials	F = PBT body - FKM poppet seal
Electrical connection	3 = 90° connection
Voltage - power consumption	2 = 12 V DC - 1 W
Fixing	M = fixing screws for metal
Use with oxygen	OX1 = for use with oxygen - cleanliness level according to ASTM G93-03 Standard Level E