

Direct acting solenoid valve (90° connection) - Series K

Product code: K000-105-F32

Datasheet creation date: 10/03/2025 11:30

Check the most updated document online [click here](#)

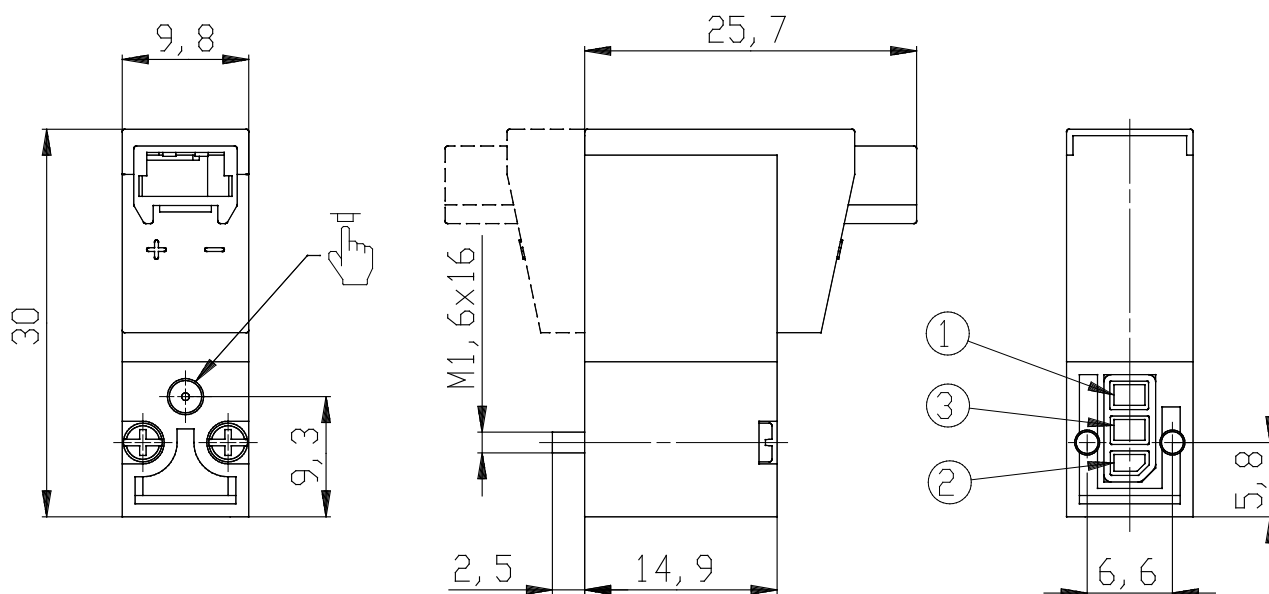


TECHNICAL DATA

Series	K000
Number of ways - functions	1 = 2/2 vie - NC
Thread port	0 = manifold or single base
Orifice diameter	5 = Ø 1.0 mm - 2/2 version
Materials	F = PBT body - FKM poppet seal
Electrical connection	3 = 90° connection
Voltage - power consumption	2 = 12 V DC - 1 W
Fixing	= fixing screws for plastic
Options	= standard

Direct acting solenoid valve (90° connection) - Series K

Product code: K000-105-F32



DIMENSIONS

Series	K000
Number of ways - functions	1 = 2/2 vie - NC
Thread port	0 = manifold or single base
Orifice diameter	5 = Ø 1.0 mm - 2/2 version
Materials	F = PBT body - FKM poppet seal
Electrical connection	3 = 90° connection
Voltage - power consumption	2 = 12 V DC - 1 W
Fixing	= fixing screws for plastic
Options	= standard