

Direct acting solenoid valve (90° connection) - Series K

Product code: K000-303-K23M

Datasheet creation date: 10/03/2025 11:29

Check the most updated document online [click here](#)

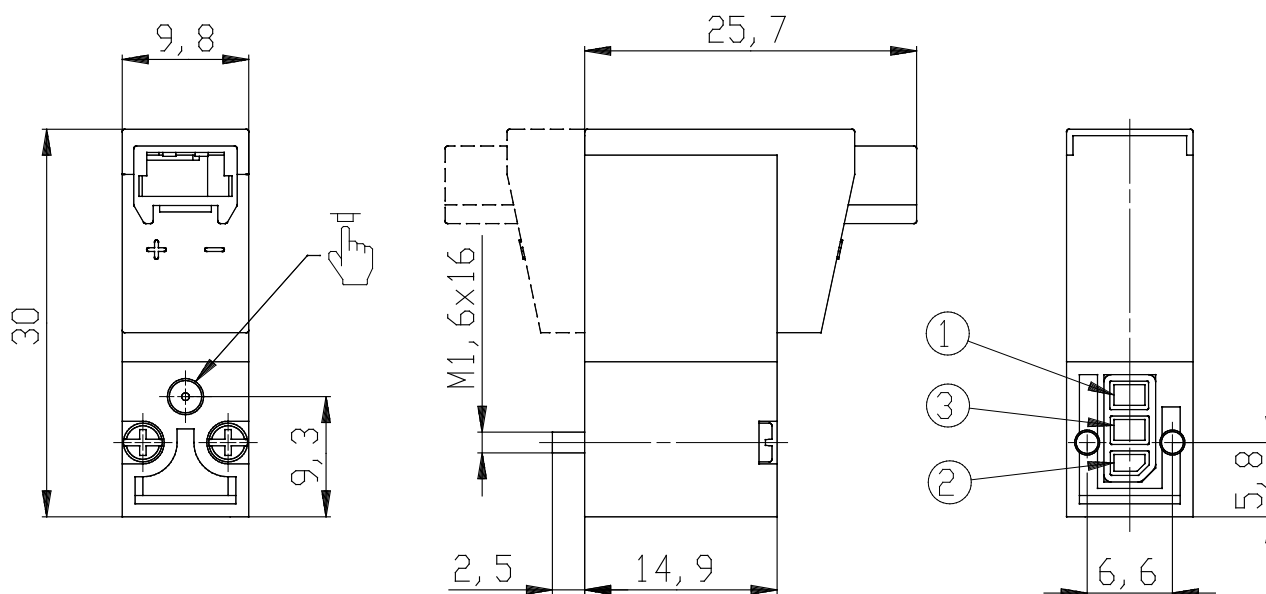


TECHNICAL DATA

Series	K000
Number of ways - functions	3 = 3/2 vie - NC
Thread port	0 = manifold or single base
Orifice diameter	3 = Ø 0.6 mm - 3/2 version
Materials	K = PBT body - HNBR poppet seal (only for 3/2-way versions)
Electrical connection	2 = 90° connection with protection
Voltage - power consumption	3 = 24 V DC - 1 W
Fixing	M = fixing screws for metal
Options	= standard

Direct acting solenoid valve (90° connection) - Series K

Product code: K000-303-K23M



DIMENSIONS

Series	K000
Number of ways - functions	3 = 3/2 vie - NC
Thread port	0 = manifold or single base
Orifice diameter	3 = Ø 0.6 mm - 3/2 version
Materials	K = PBT body - HNBR poppet seal (only for 3/2-way versions)
Electrical connection	2 = 90° connection with protection
Voltage - power consumption	3 = 24 V DC - 1 W
Fixing	M = fixing screws for metal
Options	= standard